



SLH820 Series

Technical Data

- 316L Stainless Steel Construction
- 1/2" NPT / 1/4" NPT Drain (Inlet/Outlet - also available with 3/4" NPT and 1" NPT)
- 250 PSIG Maximum Pressure
- Internal Volume (with Tie Rod / No Element): 1700cc
- Viton O-Ring (Standard-Included)
- Total Weight: 5.5 lbs.
- Flow Rate: Maximum Recommended Flow Rate is 10 GPM (Based on 25 Micron Element)

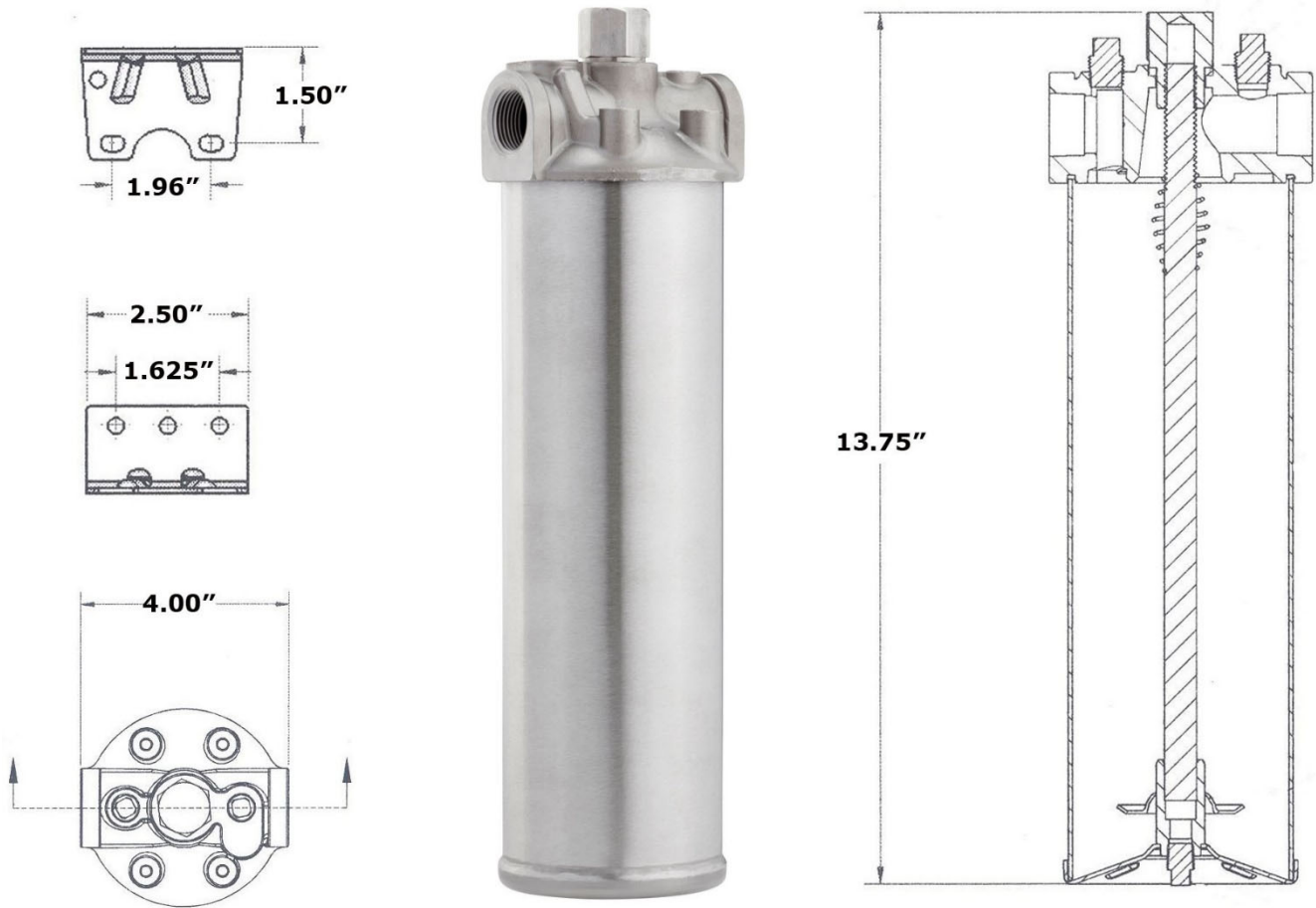
Elements Available:

LE-820-xx	Spun Polypropylene Micron Sizes: 01, 05, 10, 25, 50, 75, 100, 150
LE-820-xxPL	Pleated Polypropylene Micron Sizes: 01, 10, 25, 50, 75
SS-820-xxV	Pleated Stainless Steel Filter Element Comes Standard with Viton Grommets "V". For optional Grommets, Add "T" for Telon, "B" for Buna-N when Ordering Micron Sizes: 5, 10, 25, 50, 75, 100, 150, 200
LE-820-CC	Adsorption Cartridge Filled with Carbon Adsorbent

Replace "xxx" with grade, micron, or adsorbent needed. See [Filter Element Guide](#) for more information.

Available O-Rings:

GVSLH	Viton (-15°F to 400°F) **Standard - Included**
BNSLH	Buna-N (-40°F to 250°F)
KZSLH	Perfluoroelastomer (5°F to 600°F)
GSSLH	Silicone (-65°F to 400°F)
GESLH	EPDM (-65°F to 300°F)
GPSLH	PTFE (-328°F to 500°F)



Replacement Parts:

GVSLH

Viton (-15°F to 400°F) **Standard - Included******

SSB-SLH820

Stainless Steel Bowl

MBSLH820

Stainless Steel Mounting Bracket

Accessories:

SS-PET-100-1/8"

Stainless Steel Drain

MBSLH820

Stainless Steel Mounting Bracket

Optional Coalescing Filter Element for Air Filtration:

For Air / Gas Service:

We offer special coalescing filter elements that retrofit our "Liquid" 820 housing for Air Service:

Order Part Number: CA-820-50CS