



SLH818 Series

Technical Data

- 316L Stainless Steel Construction
- 1/2" NPT / 1/4" NPT Drain (Inlet/Outlet - also available with 3/4" NPT and 1" NPT)
- 250 PSIG Maximum Pressure
- Internal Volume (with Tie Rod / No Element): 900cc
- Viton O-Ring (Standard-Included)
- Total Weight: 4.5 lbs.
- Flow Rate: Maximum Recommended Flow Rate is 5 GPM (Based on 25 Micron Element)

Elements Available:

LE-818-xx

Spun Polypropylene

Micron Sizes: 01, 05, 10, 25, 50, 75, 100, 150

LE-818-xxPL

Pleated Polypropylene

Micron Sizes: 01, 10, 25, 50, 75

SS-818-xxV

Pleated Stainless Steel Filter Element

Comes Standard with Viton Grommets "V".
For optional Grommets, Add "T" for Telon, "B" for Buna-N when Ordering
Micron Sizes: 5, 10, 25, 50, 75, 100, 150, 200

LE-818-CC

Adsorption Cartridge

Filled with Carbon Adsorbent

Replace "xxx" with grade, micron, or adsorbent needed. See [Filter Element Guide](#) for more information.

Available O-Rings:

GVSLH

Viton (-15°F to 400°F) **Standard - Included******

BNSLH

Buna-N (-40°F to 250°F)

KZSLH

Perfluoroelastomer (5°F to 600°F)

GSSLH

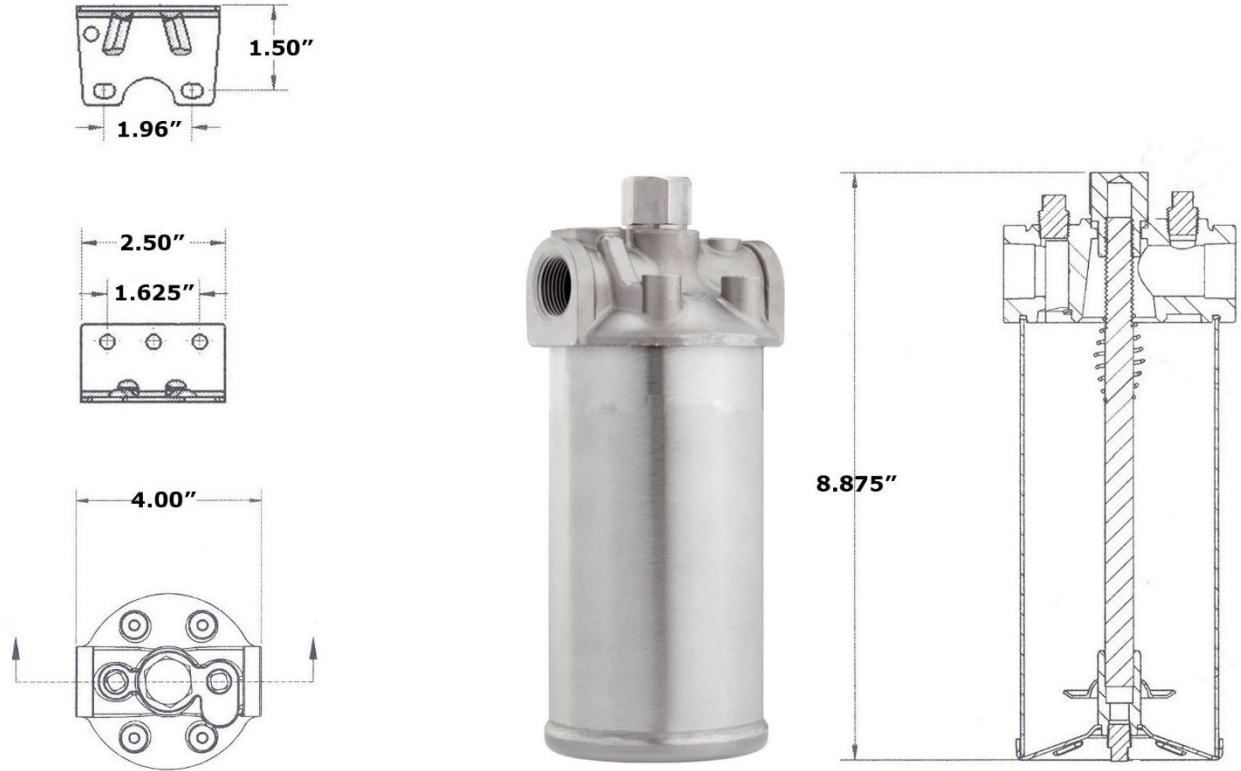
Silicone (-65°F to 400°F)

GESLH

EPDM (-65°F to 300°F)

GPSLH

PTFE (-328°F to 500°F)



Replacement Parts:

GVSLH	Viton (-15°F to 400°F) **Standard - Included**
SSB-SLH818	Stainless Steel Bowl
MBSLH818	Stainless Steel Mounting Bracket

Accessories:

SS-PET-100-1/8"	Stainless Steel Drain
MBSLH818	Stainless Steel Mounting Bracket

Optional Coalescing Filter Element for Air Filtration:

For Air / Gas Service:

We offer special coalescing filter elements that retrofit our "Liquid" 818 housing for Air Service:

Order Part Number: CA-818-50CS

