



Technical Data

- 316L Stainless Steel / Pyrex Glass Bowl Construction
- 1/4" NPT / 1/4" NPT Drain
- 100 PSIG Maximum Pressure
- Internal Volume (with Tie Rod / No Element): 105cc
- Viton O-Ring (Standard-Included)
- Total Weight: 2 lbs.

Available O-Rings:

GVSG137

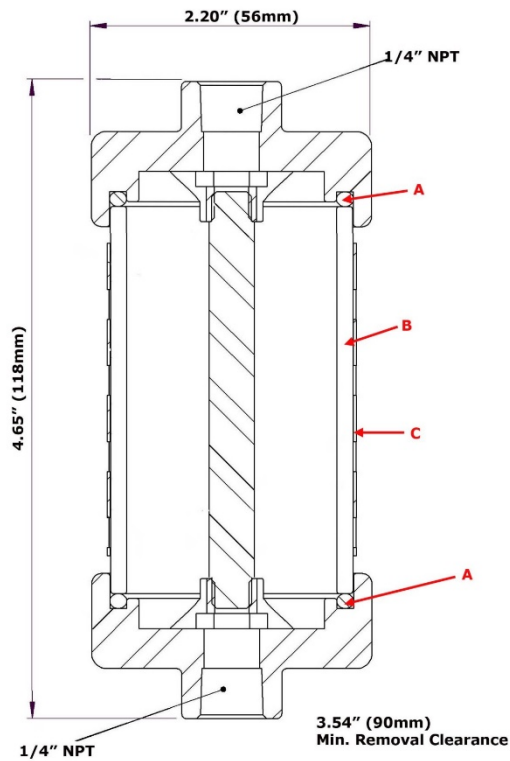
Viton (-15°F to 400°F) ****Standard - Included****

BNSG137

Buna-N (-40°F to 250°F)

KZSG137

Perfluoroelastomer (5°F to 600°F)



Replacement Parts:

GV137

Viton (-15°F to 400°F) (A) ****Standard - Included****

GB137

Pyrex Glass Bowl (B)

BG137

Stainless Steel Bowl Guard (C)

