



Mounting Bracket Specifications

Features

- Simple Rugged Design
- User Friendly
- Available for Most Housings
- Includes Bolts for Housing Head

Mounting Hole Placement

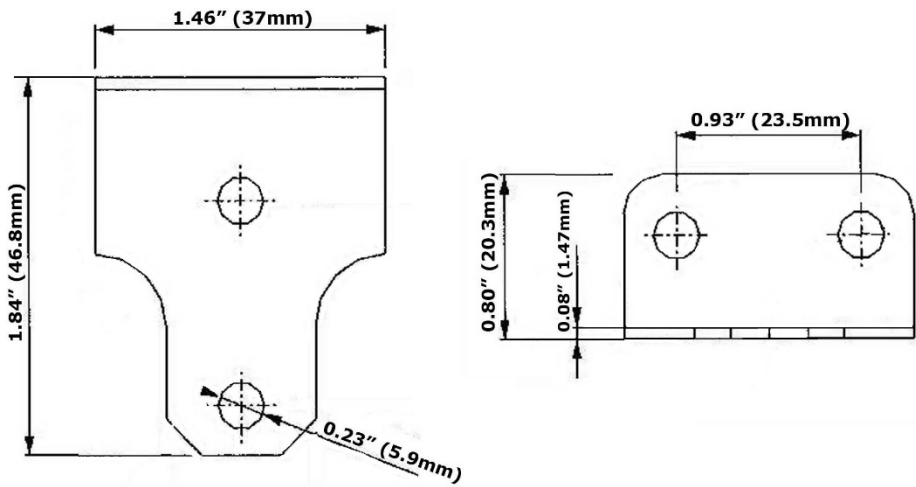
Mounting Bracket	Set-Up Mounting Holes
MBSS110/315	M5 x 3/8" deep on 1.00" Centers
MBSS130/360	M6 x 1/2" deep on 1.50" Centers
MBSS150/MB380-3277-VDI	M10 x 5/8" deep on 2.50" Centers
MBSS150HP / 180VP	M10 x 5/8" deep on 2.50" Centers
MB385AHPVDI/MB390AHPVDI	M10 x 5/8" deep on 3.50" Centers

Materials of Construction

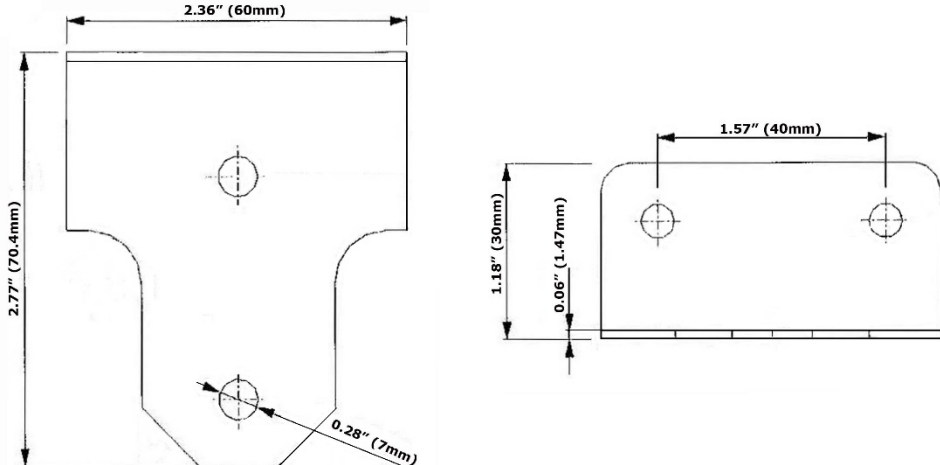
Mounting Bracket	Material
MBSS110/315	316L Stainless Steel
MBSS130/360	316L Stainless Steel
MBSS360I	316L Stainless Steel
MBSS150/MB380-3277-VDI	316L Stainless Steel
MBSS150HP / 180VP	316L Stainless Steel
MB385AHPVDI/MB390AHPVDI	Carbon Steel
MBGMS120	316L Stainless Steel

The drawings are below...

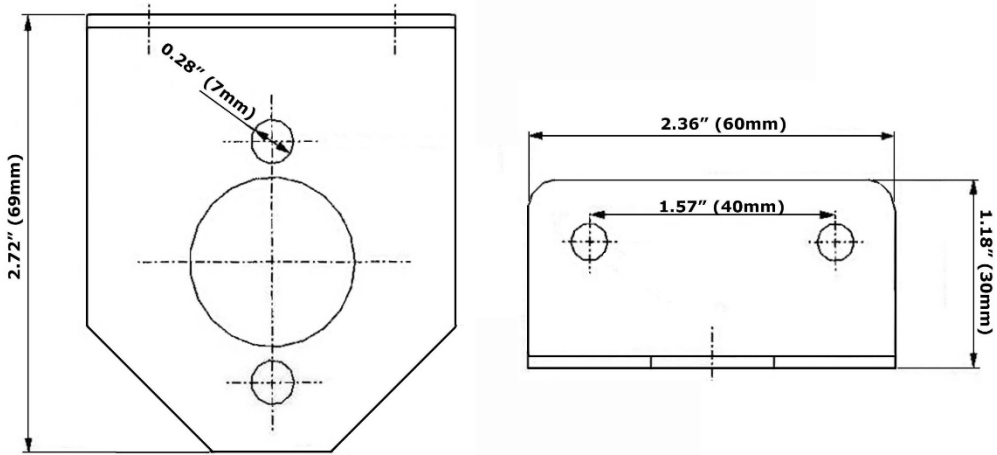
MBSS110/315



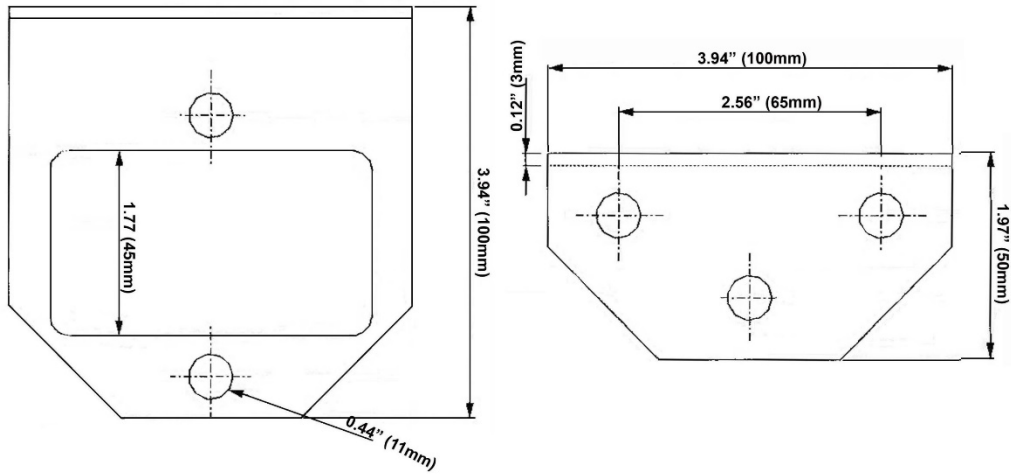
MBSS130/360



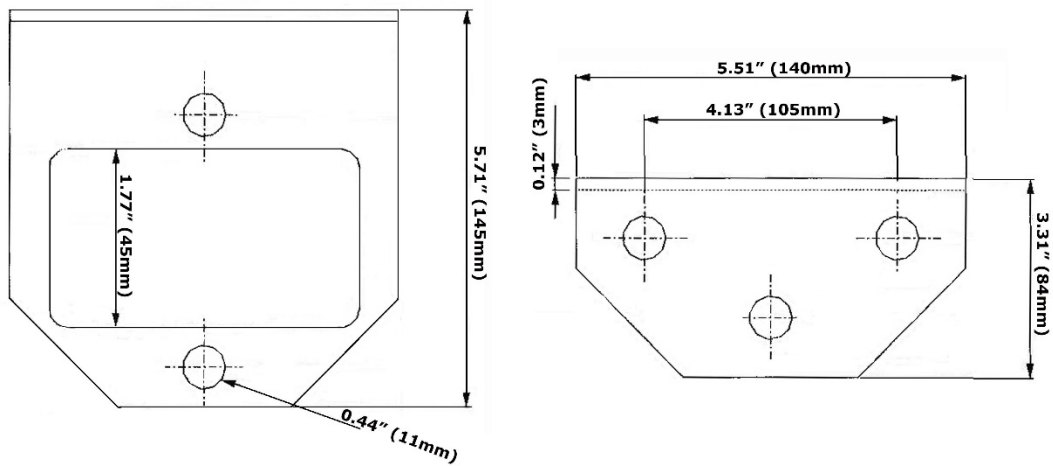
MB360I



MBSS150 / MB380-3277-VDI



MB385-VDI



MBGMS120

