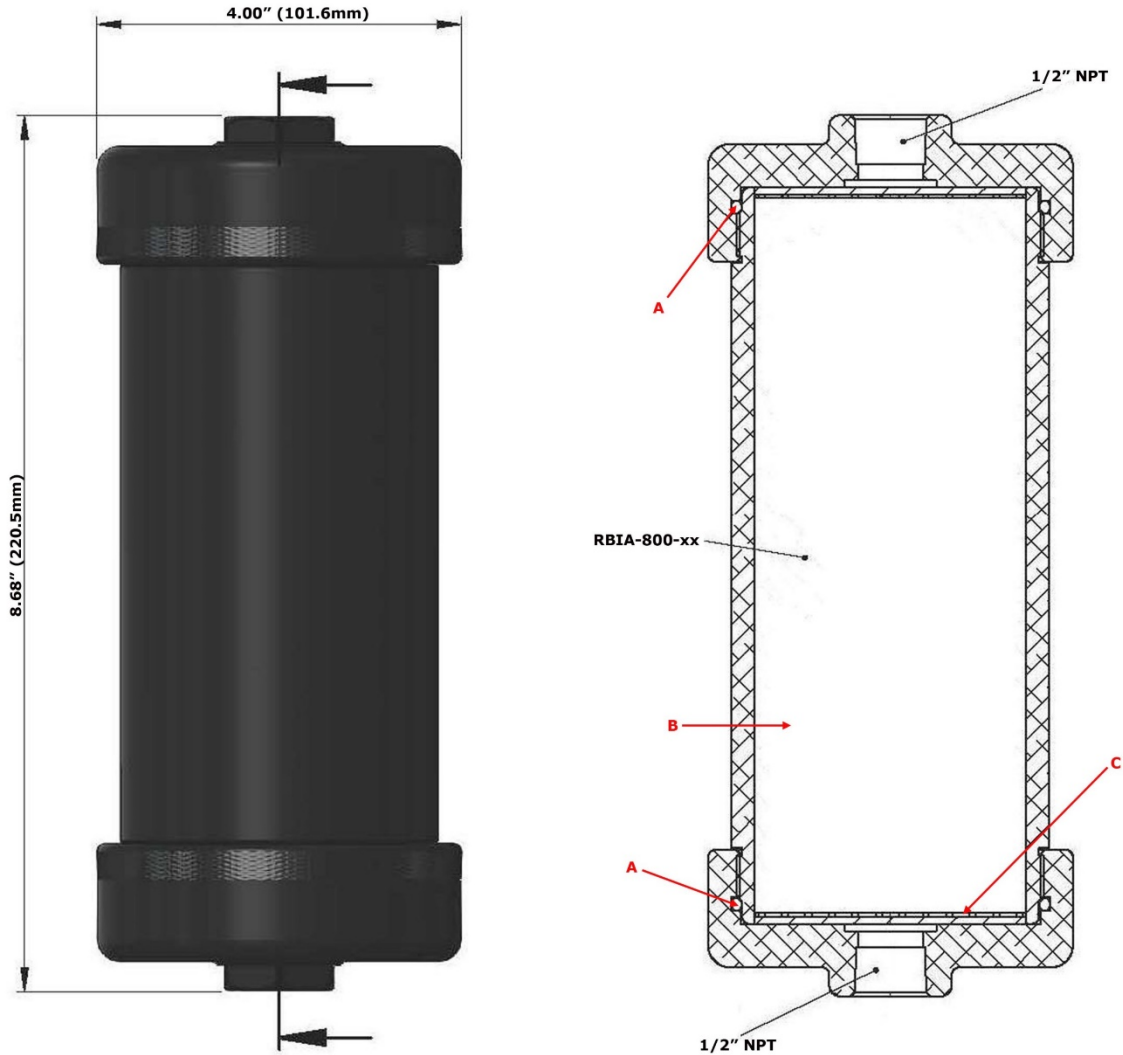




Technical Data

- Anodized Aluminum Construction
- 1/2" NPT
- 250 PSIG Maximum Pressure
- 125°F Maximum Temperature
- Internal Volume: 800cc



Replacement Parts:

GV-IAAH

Viton (-15°F to 400°F) (A) ****Standard - Included****

RBIA-800-xx

Replacement Adsorbent Pack (B)
Adsorbents: CC, 4A, 13X, SG, DR, MB, PP, HO, SB, and CS

IAAH Kit

IAAH Replacement Kit (C)
Includes: Two Discs, Two Pads, 1 Spring, and Two SS Frits

Replace "xx" with adsorbent needed.

