



Technical Data

- 316L Stainless Steel Construction
- See Ordering Chart Below
- 1500 PSIG Maximum Pressure
- Internal Volume: 60cc (with Internals)
- Viton O-Ring (Standard-Included)
- Total Weight: 7.0 lbs.

Elements Available:

FDGSC205.xx

Replacement Stainless Steel Disc
 Membrane Options: 0.5, 1, 3, 10, 25, 50, 100
 Replace 'xx' with micron required

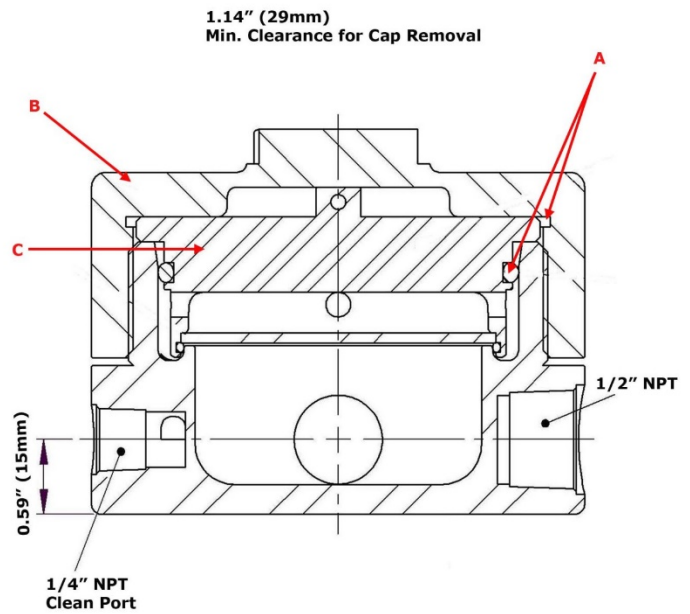
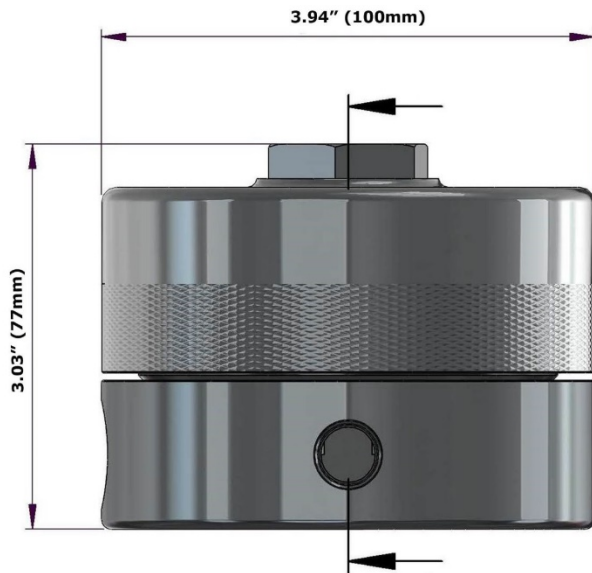
Available O-Rings:

GVGSC205	Viton (Set of 2) (-15°F to 400°F) **Standard - Included**
BNGSC205	Buna-N (Set of 2) (-40°F to 250°F)
KZGSC205	Perfluoroelastomer (Set of 2) (5°F to 600°F)
GSGSC205	Silicone (Set of 2) (-65°F to 400°F)
GEGSC205	EPDM (Set of 2) (-65°F to 300°F)

Ordering Chart:

Base Part Number	Number of Ports	Inlet	Outlet	Optional Bypass	Sample	Micron Size
GSC205	3 = 3 Ports	0 = No	0 = No	0 = No	0 = No	005 = 0.5 Micron
	4 = 4 Ports	1 = 1/4"	1 = 1/4"	1 = 1/4"	1 = 1/4"	01 = 1 Micron
		2 = 1/2"	2 = 1/2"	2 = 1/2"	2 = 1/2"	03 = 3 Micron
						10 = 10 Micron
						25 = 25 Micron
						50 = 50 Micron
						100 = 100 Micron

Example: GSC205.32201.03



Replacement Parts:

GVGSC205	Viton (Set of 2) (-15°F to 400°F) (A) **Standard - Included**
GSC205-C	Stainless Steel Cap (B)
GSC205-Plug	Stainless Steel Plug Insert (C)

Accessories:

GMS105-PR	Stainless Steel Pull Ring
MBGMS205	Stainless Steel Mounting Bracket (M6 x 12 Full Thread on 3.50" Center @ 45° to Port)

Part Number of Exotic Housing Materials:

Monel A400:	Model GSC205M.xxxxx (Drawing)
Hastelloy C-276:	Model GSC205HC.xxxxx (Drawing)
Inconel A625:	Model GSC205-INC.xxxxx (Drawing)