



Technical Data

- 316L Stainless Steel Construction
- 1/4" NPT / 1/4" NPT Drain
- 1500 PSIG Maximum Pressure
- Internal Volume: 5.0cc (Upstream), 35.0cc (Downstream)
- Viton O-Ring (Standard-Included)
- Total Weight: 7.0 lbs.
- Flow Rate: 3 LPM (M1 - Low Flow Membrane), 43 LPM (M2- High Flow Membrane)

Elements Available:

MT.89.MxG

Replacement Membrane Kit
Comes Complete with Five Membranes with Viton O-Rings,
Membrane Options: M1 (Low Flow) or M2 (High Flow)
Replace 'Mx' with membrane required

Available O-Rings:

GVGMS305

Viton (Set of 2) (-15°F to 400°F) **Standard - Included******

BNGMS305

Buna-N (Set of 2) (-40°F to 250°F)

KZGMS305

Perfluoroelastomer (Set of 2) (5°F to 600°F)

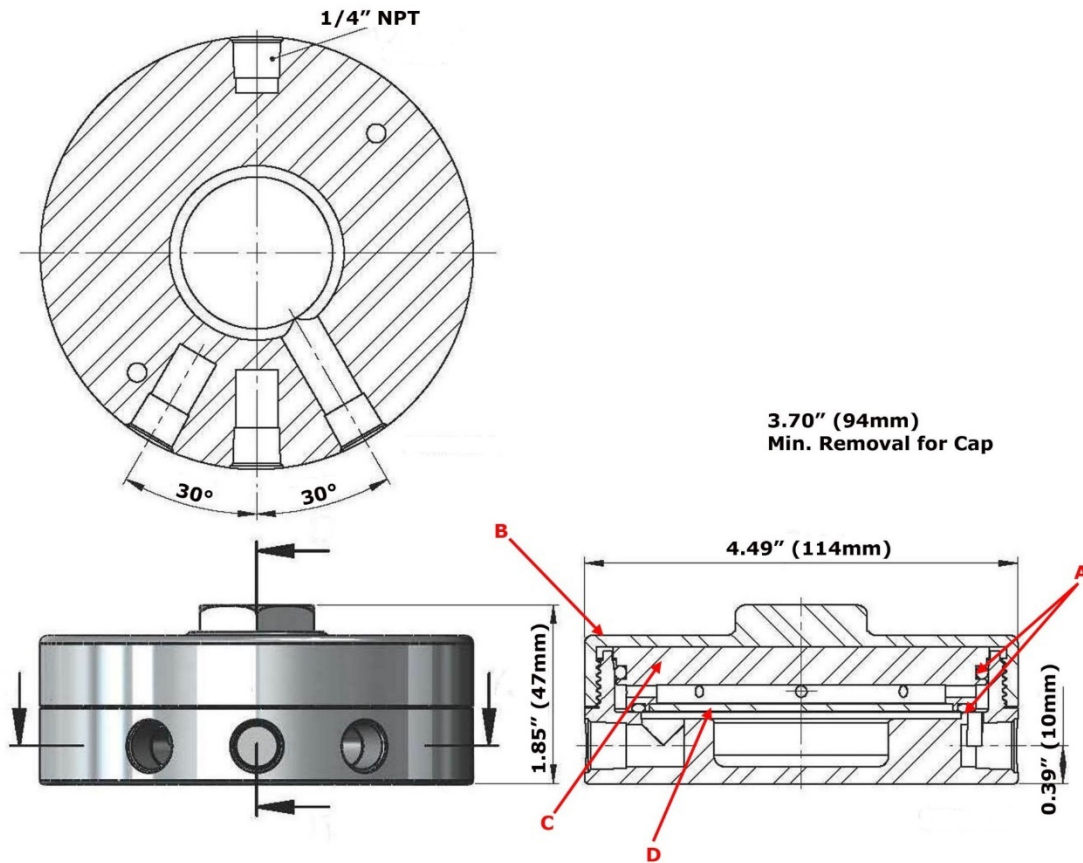
GSGMS305

Silicone (Set of 2) (-65°F to 400°F)

GEGMS305

EPDM (Set of 2) (-65°F to 300°F)

O-Ring Kit includes membrane, please specify M1G (Low Flow) or M2G (High Flow).



Replacement Parts:

GVGMS305	Viton (Set of 2) (-15°F to 400°F) (A) **Standard - Included**
GMS305-C	Stainless Steel Cap (B)
GMS305-Plug	Stainless Steel Plug Insert (C)
SSGMS305	Stainless Steel Support Disc (D)

Accessories:

MBGMS305	Stainless Steel Mounting Bracket (M6 x 14 Full Thread on 3.50" Center @ 45° to Port)
----------	---

Part Number of Exotic Housing Materials:

Monel A400:	Model GMS305M-1/4" (Drawing)
Hastelloy C-276:	Model GMS305HC-1/4" (Drawing)
Inconel A625:	Model GMS305-INC-1/4" (Drawing)