



GMS205L-1/4"

Technical Data

- 316L Stainless Steel Construction
- 1/4" NPT / 1/4" NPT Drain
- 1500 PSIG Maximum Pressure
- Internal Volume: 4.0cc (Upstream), 10.0cc (Downstream)
- Viton O-Ring (Standard-Included)
- Total Weight: 7.0 lbs.
- Flow Rate: Up to 650cc for Gasoline, 290cc for Kerosene, & 220cc for Diesel

Elements Available:

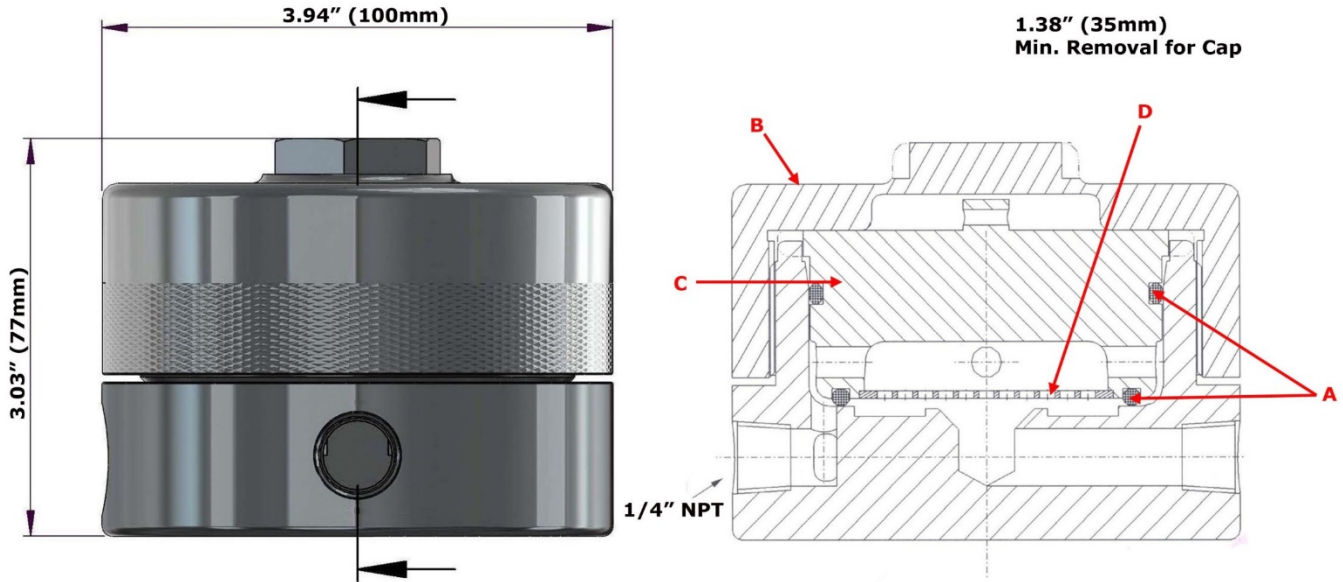
MT.61.M3
Liquid/Liquid Separator

Replacement Membrane Kit
Comes Complete with Five Liquid / Liquid Membranes with Five Separate Viton O-Rings

Available O-Rings:

GVGMS205	Viton (Set of 2) (-15°F to 400°F) **Standard - Included**
BNGMS205	Buna-N (Set of 2) (-40°F to 250°F)
KZGMS205	Perfluoroelastomer (Set of 2) (5°F to 600°F)
GSGMS205	Silicone (Set of 2) (-65°F to 400°F)
GEGMS205	EPDM (Set of 2) (-65°F to 300°F)

O-Ring Kit includes does not include membrane.



Replacement Parts:

GVGMS205	Viton (Set of 2) (-15°F to 400°F) (A) **Standard - Included**
GMS205-C	Stainless Steel Cap (B)
GMS205-Plug	Stainless Steel Plug Insert (C)
SSGMS205	Stainless Steel Support Disc (D)

Accessories:

GMS105-PR	Stainless Steel Pull Ring
MBGMS205	Stainless Steel Mounting Bracket (M6 x 12 Full Thread on 3.50" Center @ 45° to Port)

