



Technical Data

- 316L Stainless Steel Construction
- 1/2" NPT / 1/4" NPT Drain
- 100 PSIG Maximum Pressure
- Internal Volume: 112.64cc (Upstream), 4.37cc (Downstream)
- Viton O-Ring (Standard-Included)
- Total Weight: 6.5 lbs.
- Flow Rate: 2 LPM (M1 - Low Flow Membrane), 15 LPM (M2- High Flow Membrane)

Elements Available:

25-64-50C

Disposable Borosilicate Glass Microfiber Filter Element
****Standard 50C****

MT.61.MxHG/50C

Replacement Membrane Kit
Comes Complete with Five Membranes with Viton O-Rings (Bonded Together),
And Five 25-64-50C Elements
Membrane Options: M1 (Low Flow) or M2 (High Flow)
Replace 'Mx' with membrane required

Available O-Rings:

GVGMS137G

Viton (Set of 5) (-15°F to 400°F) **Standard - Included**

BNGMS137G

Buna-N (Set of 5) (-40°F to 250°F)

KZGMS137G

Perfluoroelastomer (Set of 5) (5°F to 600°F)

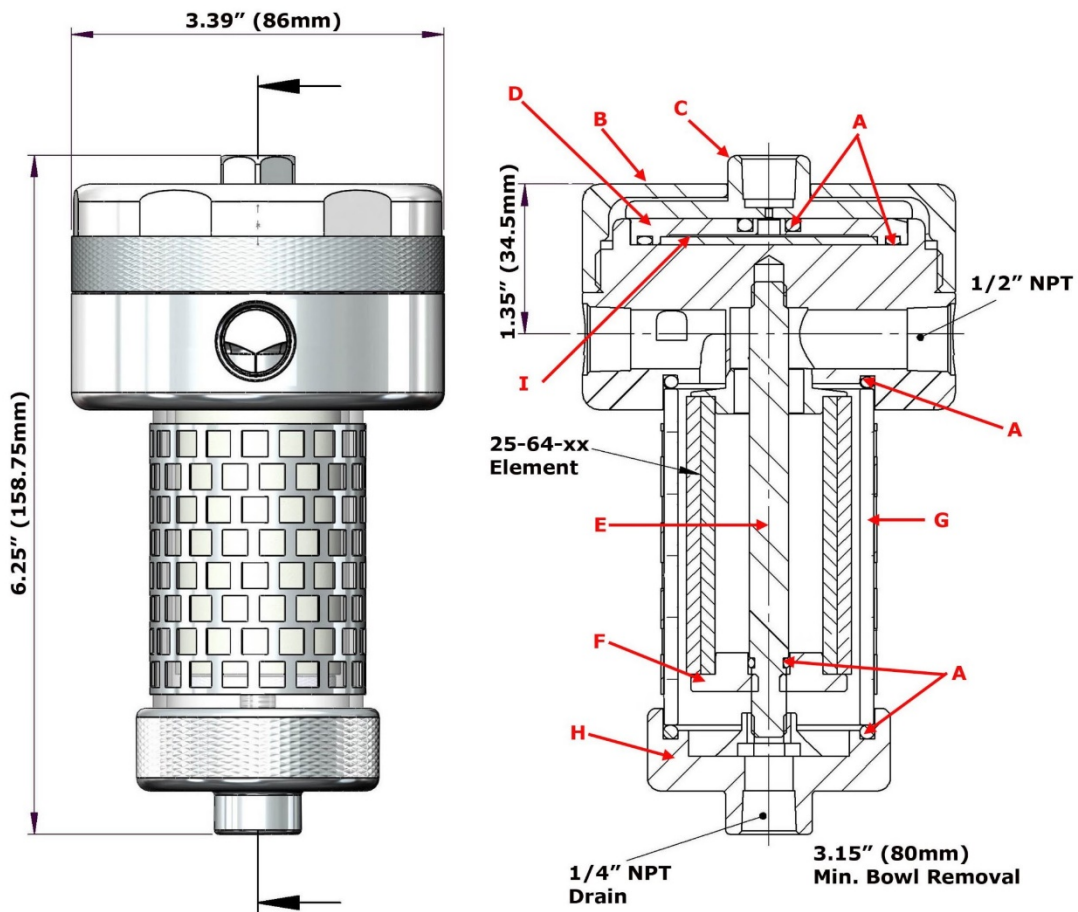
GSGMS137G

Silicone (Set of 5) (-65°F to 400°F)

GEGMS137G

EPDM (Set of 5) (-65°F to 300°F)

O-Ring Kit includes membrane, please specify M1HG (Low Flow) or M2HG (High Flow).



Replacement Parts:

GVGMS137G	Viton (Set of 5) (-15°F to 400°F) (A) **Standard - Included**
GMS130-C	Stainless Steel Collar (B)
GMS130-CVP	Stainless Steel Hex Plate (C)
GMS130-Plug	Stainless Steel Membrane Insert (D)
TR137	Stainless Steel Tie Rod (E)
ER137	Stainless Steel Element Retainer (F)
GB137	Pyrex Glass Bowl (G)
BG137	Stainless Steel Base Plate (H)
SSGMS205	Stainless Steel Support Disc (I)

Accessories:

MBGMS130/137G	Stainless Steel Mounting Bracket
---------------	----------------------------------

Part Number of Exotic Housing Materials:

Monel A400:	Model GMS138GM (Drawing)
Hastelloy C-276:	Model GMS138G-HC (Drawing)
Inconel A625:	Model GMS138G-INC (Drawing)