



Technical Data

- 316L Stainless Steel Construction
- 1/2" NPT / 1/4" NPT Drain
- 1500 PSIG Maximum Pressure
- Internal Volume: 110.68cc (Upstream), 4.37cc (Downstream)
- Viton O-Ring (Standard-Included)
- Total Weight: 6.5 lbs.
- Flow Rate: 2 LPM (M1 - Low Flow Membrane), 15 LPM (M2- High Flow Membrane)

Elements Available:

25-64-50C

Disposable Borosilicate Glass Microfiber Filter Element
****Standard 50C****

MT.61.MxHG/50C

Replacement Membrane Kit
Comes Complete with Five Membranes with Viton O-Rings (Bonded Together),
And Five 25-64-50C Elements
Membrane Options: M1 (Low Flow) or M2 (High Flow)
Replace 'Mx' with membrane required

Available O-Rings:

GVGMS130

Viton (Set of 3) (-15°F to 400°F) **Standard - Included**

BNGMS130

Buna-N (Set of 3) (-40°F to 250°F)

KZGMS130

Perfluoroelastomer (Set of 3) (5°F to 600°F)

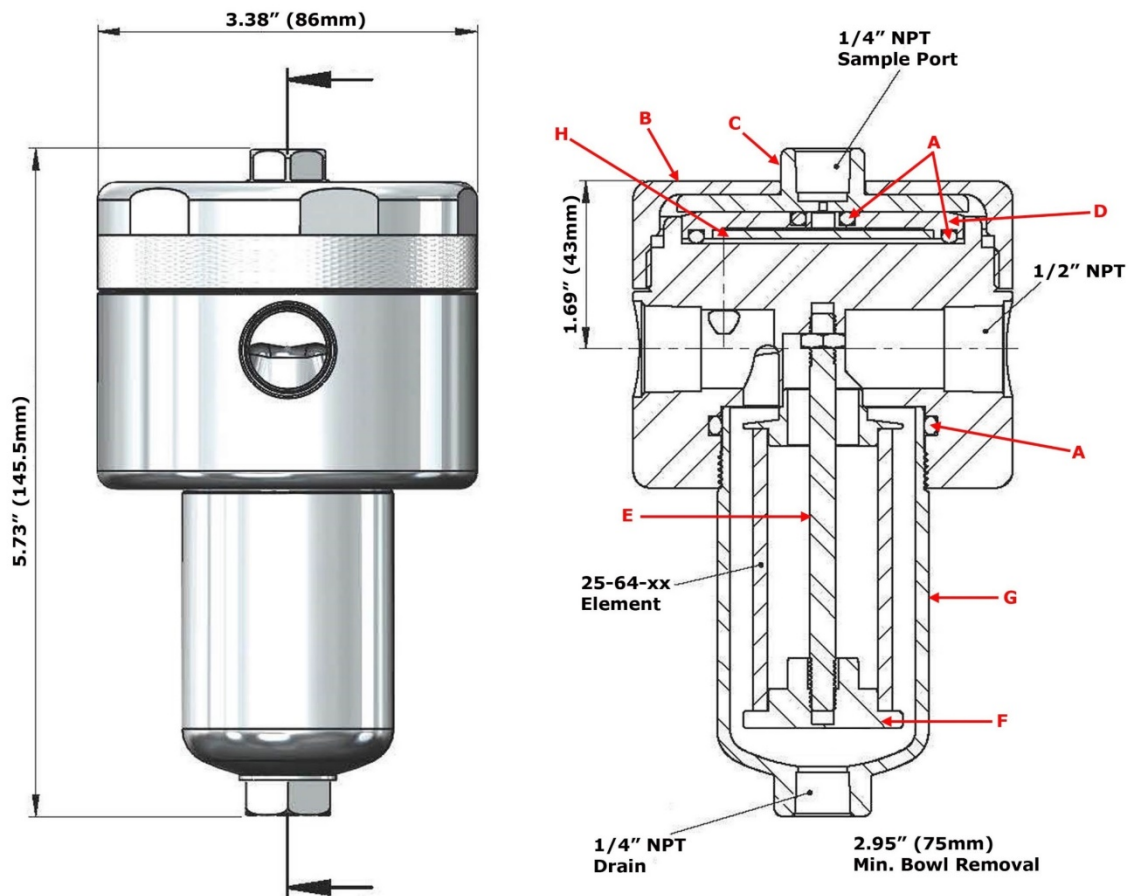
GSGMS130

Silicone (Set of 3) (-65°F to 400°F)

GEGMS130

EPDM (Set of 3) (-65°F to 300°F)

O-Ring Kit includes membrane, please specify M1HG (Low Flow) or M2HG (High Flow).



Replacement Parts:

GVGMS130	Viton (Set of 3) (-15°F to 400°F) (A) **Standard - Included**
GMS130-C	Stainless Steel Collar (B)
GMS130-CVP	Stainless Steel Hex Plate (C)
GMS130-Plug	Stainless Steel Membrane Insert (D)
TR130	Stainless Steel Tie Rod (E)
ER130	Stainless Steel Element Retainer (F)
SSB 130	Stainless Steel Bowl (G)
SSGMS205	Stainless Steel Support Disc (H)

Accessories:

MBGMS130/137G	Stainless Steel Mounting Bracket
---------------	----------------------------------

Part Number of Exotic Housing Materials:

Monel A400: [Model GMS132M \(Drawing\)](#)

Hastelloy C-276: [Model GMS132HC \(Drawing\)](#)

Inconel A625: [Model GMS132-INC \(Drawing\)](#)