



GMS105P-1/8"

Technical Data

- PTFE Construction
- 1/8" NPT / 1/8" NPT Drain
- 100 PSIG Maximum Pressure
- Internal Volume: 1.50cc (Upstream), 4.00cc (Downstream)
- Viton O-Ring (Standard-Included)
- Total Weight: 2.0 lbs.
- Flow Rate: 0.35 LPM (M1 - Low Flow Membrane), 10 LPM (M2- High Flow Membrane)

Elements Available:

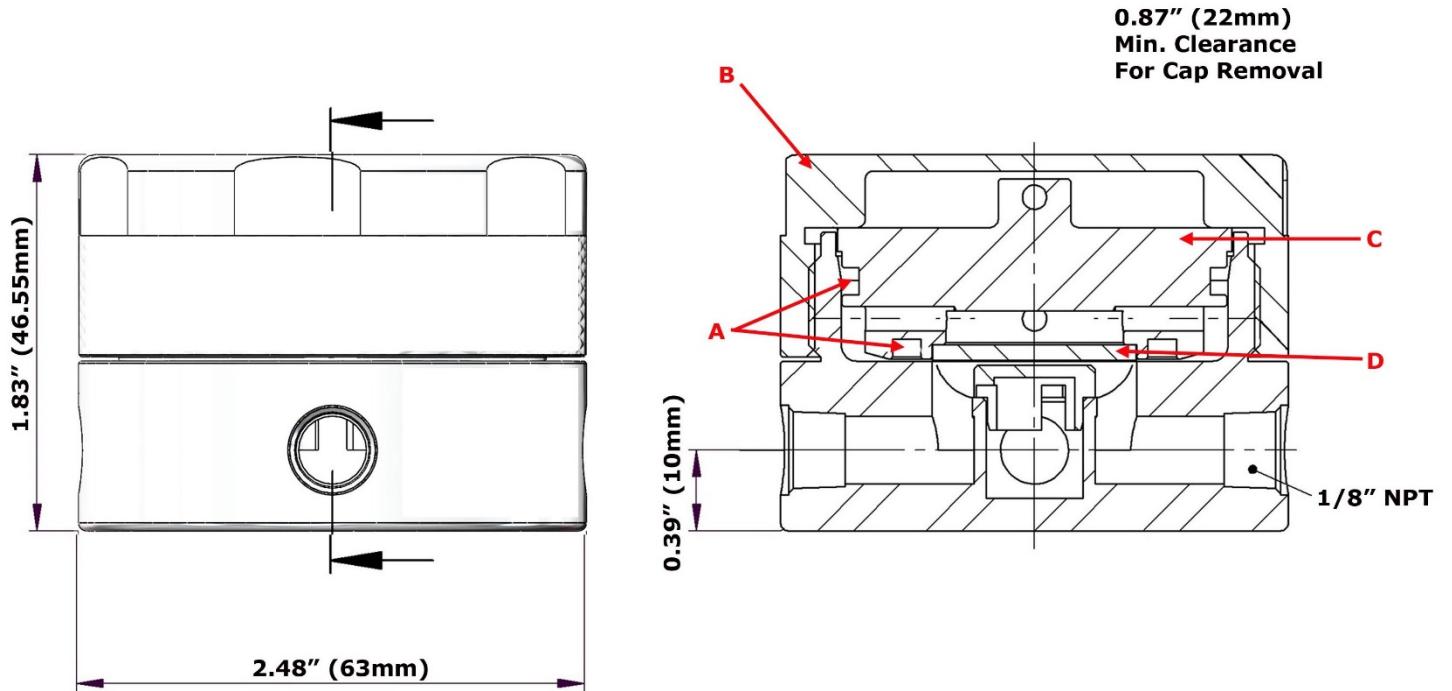
MT.33.MxHG

Replacement Membrane Kit
Comes Complete with Five Membranes with Viton O-Rings (Bonded Together),
Membrane Options: M1 (Low Flow) or M2 (High Flow)
Replace 'Mx' with membrane required

Available O-Rings:

GVGMS105	Viton (Set of 2) (-15°F to 400°F) **Standard - Included**
BNGMS105	Buna-N (Set of 2) (-40°F to 250°F)
KZGMS105	Perfluoroelastomer (Set of 2) (5°F to 600°F)
GSGMS105	Silicone (Set of 2) (-65°F to 400°F)
GEGMS105	EPDM (Set of 2) (-65°F to 300°F)

O-Ring Kit includes membrane, please specify M1HG (Low Flow) or M2HG (High Flow).



Replacement Parts:

GVGMS105	Viton (Set of 2) (-15°F to 400°F) (A) **Standard - Included**
GMS105P-C	PTFE Cap (B)
GMS105P-Plug	PTFE Plug Insert (C)
GMS105PT-Disc	PTFE Support Disc (D)

Accessories:

GMS105-PR	Stainless Steel Pull Ring
MBGMS105	Stainless Steel Mounting Bracket (M6 x 10 Full Thread on 1.50" Center @ 45° to Port)