



Technical Data

- 316L Stainless Steel Construction
- 1/4" NPT / 1/4" NPT Drain
- 1500 PSIG Maximum Pressure
- Internal Volume: 1.50cc (Upstream), 4.00cc (Downstream)
- Viton O-Ring (Standard-Included)
- Total Weight: 2.0 lbs.
- Flow Rate: 0.35 LPM (M1 - Low Flow Membrane), 10 LPM (M2- High Flow Membrane)

Elements Available:

MT.33.MxHG

Replacement Membrane Kit

Comes Complete with Five Membranes with Viton O-Rings (Bonded Together),
Membrane Options: M1 (Low Flow) or M2 (High Flow)
Replace 'Mx' with membrane required

Available O-Rings:

GVGMS105

Viton (Set of 2) (-15°F to 400°F) **Standard - Included**

BNGMS105

Buna-N (Set of 2) (-40°F to 250°F)

KZGMS105

Perfluoroelastomer (Set of 2) (5°F to 600°F)

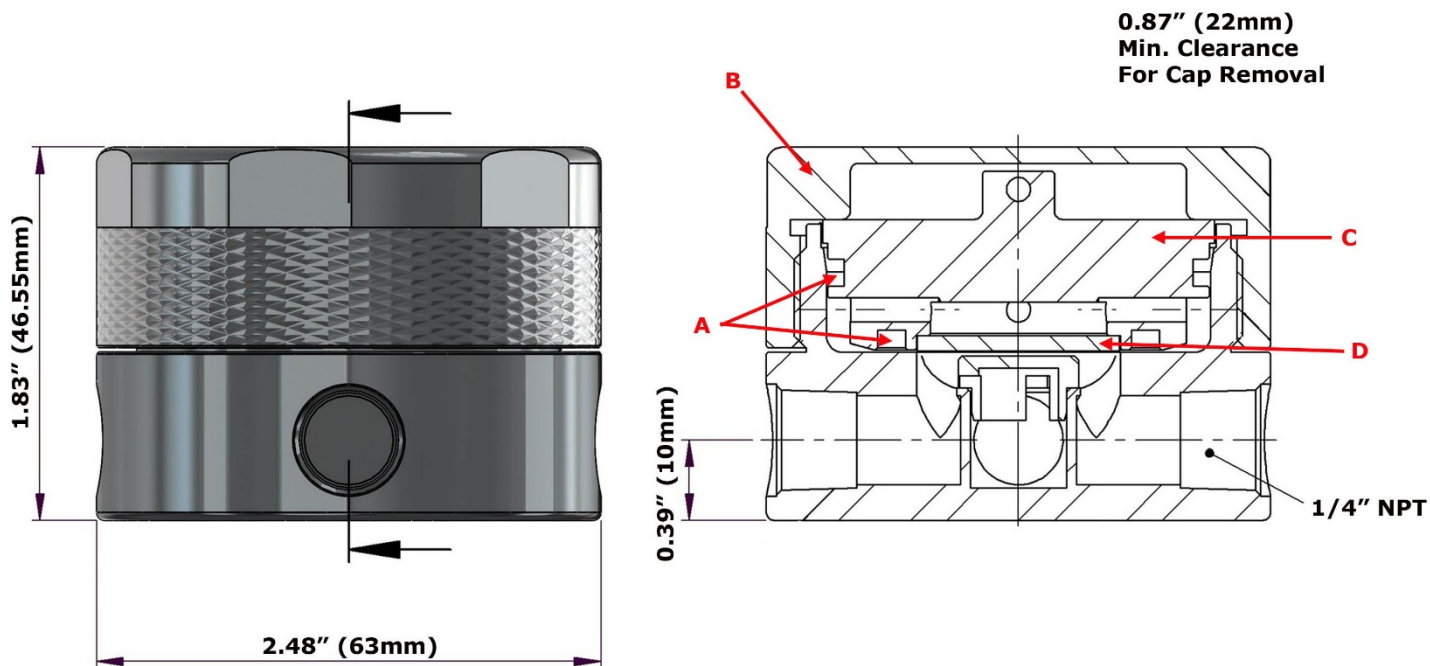
GSGMS105

Silicone (Set of 2) (-65°F to 400°F)

GEGMS105

EPDM (Set of 2) (-65°F to 300°F)

O-Ring Kit includes membrane, please specify M1HG (Low Flow) or M2HG (High Flow).



Replacement Parts:

GVGMS105	Viton (Set of 2) (-15°F to 400°F) (A) **Standard - Included**
GMS105-C	Stainless Steel Cap (B)
GMS105-Plug	Stainless Steel Plug Insert (C)
SSGMS105	Stainless Steel Support Disc (D)

Accessories:

GMS105-PR	Stainless Steel Pull Ring
MBGMS105	Stainless Steel Mounting Bracket (M6 x 10 Full Thread on 1.50" Center @ 45° to Port)

Part Number of Exotic Housing Materials:

Monel A400:	Model GMS105M-1/4" (Drawing)
Hastelloy C-276:	Model GMS105HC-1/4" (Drawing)
Inconel A625:	Model GMS105-INC-1/4" (Drawing)