



Technical Data

- Anodized Aluminum / Polycarbonate Construction
- 1/4" NPT or 1/2" NPT / Black Nylon Drain Valve
- 250 PSIG Maximum Pressure
- Internal Volume (with Tie Rod / No Element): 290cc
- Buna-N O-Ring (Standard-Included)
- Total Weight: 3.0 lbs. (Standard Disposable Element Included)
- Flow Rate @ 100 PSIG: 63 SCFM (Maximum Recommended Flow Rate for Optimal Efficiency)
 - Based on 25-178-50C Standard Coalescing Grade Element, 99.99% Efficient at 0.01 Micron
 - Higher flow rates are supported with increased initial pressure drop

Elements Available:

25-178-**xxx**

Disposable Borosilicate Glass Microfiber Filter Element

25-178-50C – Standard Coalescing Filter Element ****Included****

PEL-25-178-**xx**

PEL (Polyethylene) Filter Element

Micron Sizes: 10, 25, and 75

Replace “**xxx**” with grade or micron needed. See [Filter Element Guide](#) for more information.

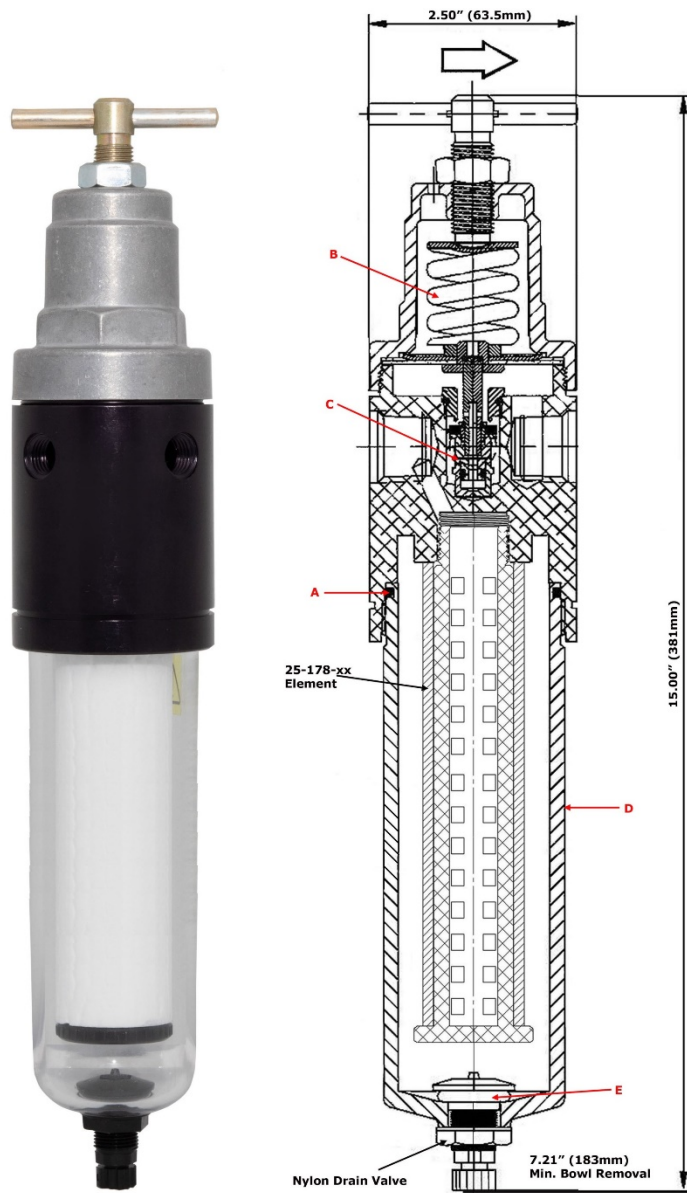
Available O-Rings:

BNFR066

Buna-N (-40°F to 250°F) **Standard - Included******

GVFR066

Viton (-15°F to 400°F)



Replacement Parts:

BNFR066	Buna-N (-40°F to 250°F) (A) **Standard - Included**
SPFRT066-xx	Compression Spring (B) Available Ranges: 30 (0-30 psi), 60 (0-60 psi), or 130 (10-130 psi)
FRAT066 Kit	Filter Regulator Repair Kit (C) Includes: Diaphragm Washer, Diaphragm, Seat, Pintle, Pintle O-Ring, Spring, & Seat O-Ring
PBFRT076	Polycarbonate Bowl (D)
MDV360	Black Nylon Drain Valve (E)

Accessories:

BHF300-HEX	Bulk Head Fitting
MBFR360	Aluminum / Brass Mounting Bracket