



Technical Data

- Anodized Aluminum / Polycarbonate Construction
- 1/4" NPT or 1/2" NPT / Black Nylon Drain Valve
- 250 PSIG Maximum Pressure
- Internal Volume (with Tie Rod / No Element): 130cc
- Buna-N O-Ring (Standard-Included)
- Total Weight: 3.0 lbs. (Standard Disposable Element Included)
- Flow Rate @ 100 PSIG: 25 SCFM (Maximum Recommended Flow Rate for Optimal Efficiency)
 - Based on 25-64-50CW Standard Coalescing Grade Element, 99.99% Efficient at 0.01 Micron
 - Higher flow rates are supported with increased initial pressure drop

Elements Available:

25-64-**xxx**

Disposable Borosilicate Glass Microfiber Filter Element

25-64-50CW – Standard Coalescing Filter Element ****Included****

PEL-25-64-**xx**

PEL (Polyethylene) Filter Element

Micron Sizes: 10, 25, and 75

Replace “xxx” with grade or micron needed. See [Filter Element Guide](#) for more information.

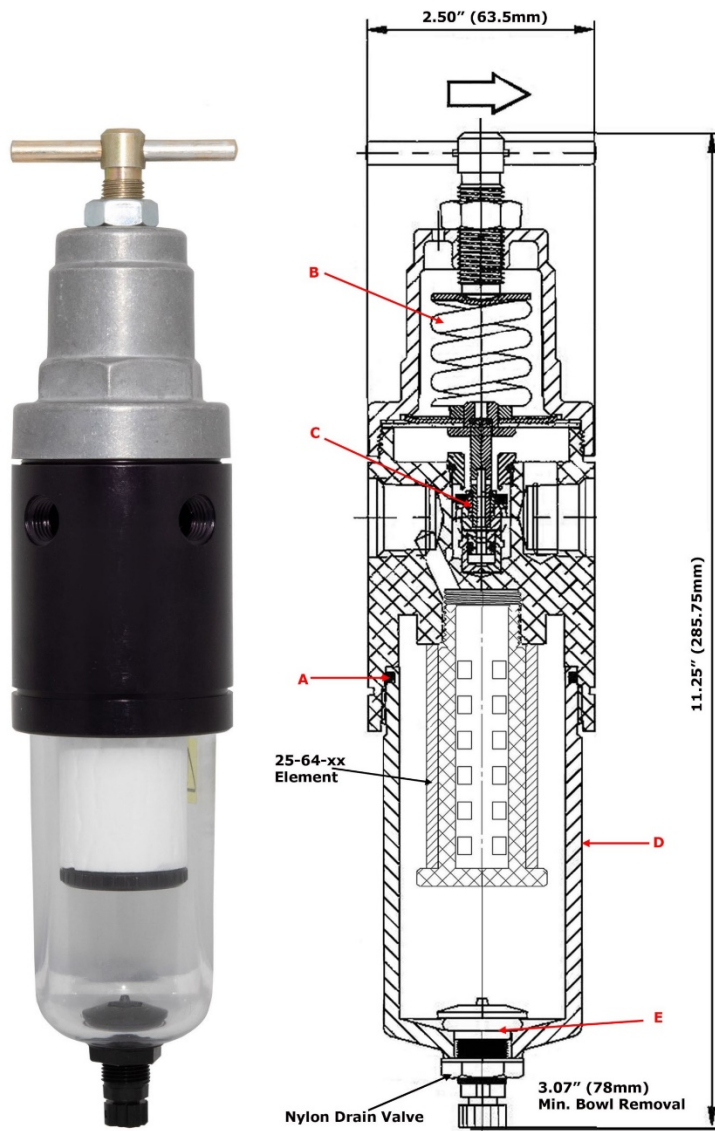
Available O-Rings:

BNFR066

Buna-N (-40°F to 250°F) **Standard - Included******

GVFR066

Viton (-15°F to 400°F)



Replacement Parts:

BNFR066

Buna-N (-40°F to 250°F) (A) **Standard - Included******

SPFRT066-xx

Compression Spring (B)
Available Ranges: 30 (0-30 psi), 60 (0-60 psi), or 130 (10-130 psi)

FRAT066 Kit

Filter Regulator Repair Kit (C)
Includes: Diaphragm Washer, Diaphragm, Seat, Pintle, Pintle O-Ring, Spring, & Seat O-Ring

PBFRT066

Polycarbonate Bowl (D)

MDV360

Black Nylon Drain Valve (E)

Accessories:

BHF300-HEX

Bulk Head Fitting

MBFR360

Aluminum / Brass Mounting Bracket