



Technical Data

- Anodized Aluminum Construction
- 1/8" NPT or 1/4" NPT / Schrader Valve
- 250 PSIG Maximum Pressure
- Internal Volume (with Tie Rod / No Element): 36cc
- Buna-N O-Ring (Standard-Included)
- Total Weight: 3.0 lbs. (Standard Disposable Element Included)
- Flow Rate @ 100 PSIG: 8 SCFM (Maximum Recommended Flow Rate for Optimal Efficiency)
 - Based on 12-32-50C Standard Coalescing Grade Element, 99.99% Efficient at 0.01 Micron
 - Higher flow rates are supported with increased initial pressure drop

Elements Available:

12-32-**xxx**

Disposable Borosilicate Glass Microfiber Filter Element

12-32-50C – Standard Coalescing Filter Element ****Included****

PEL-12-32-**xx**

PEL (Polyethylene) Filter Element

Micron Sizes: 10, 25, and 75

Replace “xxx” with grade or micron needed. See [Filter Element Guide](#) for more information.

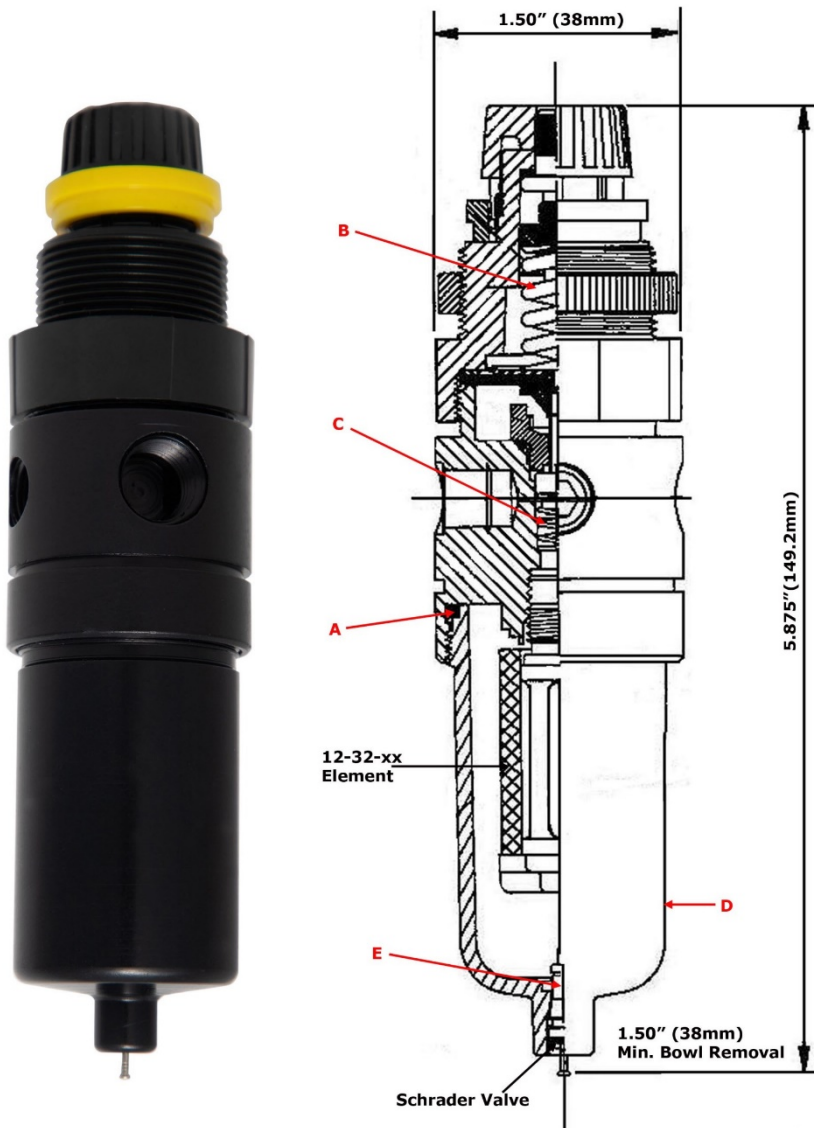
Available O-Rings:

BNFR516

Buna-N (-40°F to 250°F) **Standard - Included******

GVFR516

Viton (-15°F to 400°F)



Replacement Parts:

BNFR516

Buna-N (-40°F to 250°F) (A) **Standard - Included******

SPFR516-xx

Compression Spring (B)
Available Ranges: 30 (0-30 psi), 60 (0-60 psi), or 130 (10-130 psi)

FRA516 Kit

Filter Regulator Repair Kit (C)
Includes: Diaphragm Washer, Diaphragm, Seat, Pintle, Pintle O-Ring, Spring, & Seat O-Ring

ABFR516

Anodized Aluminum Bowl (D)

SVFR516

Stainless Steel Schrader Valve (E)

Accessories:

MBFR315

Aluminum Brass Mounting Bracket