



Technical Data

- 100% Grilamid TR 55 Blue Nylon Construction
- 1/8" ID Tube or 1/4" ID Tube
- 125 PSIG Maximum Pressure at 110°F
- 230°F Maximum Temp. at 0 PSIG
- Internal Volume (Empty): 10cc
- Air/Gas Flow Rate @ 100 PSIG: 4.2 SCFM (Maximum Recommended Flow Rate for Optimal Efficiency)
 - Based on 12-32-50K Standard Grade Element, 99.99+% Efficient at 0.01 Micron
- Liquid Flow Rate: 6.6 GPH / 0.50 LPM

Standard OEM Size with Microfiber Element (DIF-BN__) *add grade required

Our standard DIF-BN series is by far the most commonly used size of DIF since it combines high efficiency filtration with low pressure drops in a compact package. Whether being used in an OEM cabinet, emission bench, or air monitor this little gem is an economical workhorse.

Standard Grade: DIF-BN50

Air / Gas Applications: 99.99% efficient @ 0.01 Micron

Liquid Applications: 98% efficient @ 2micron

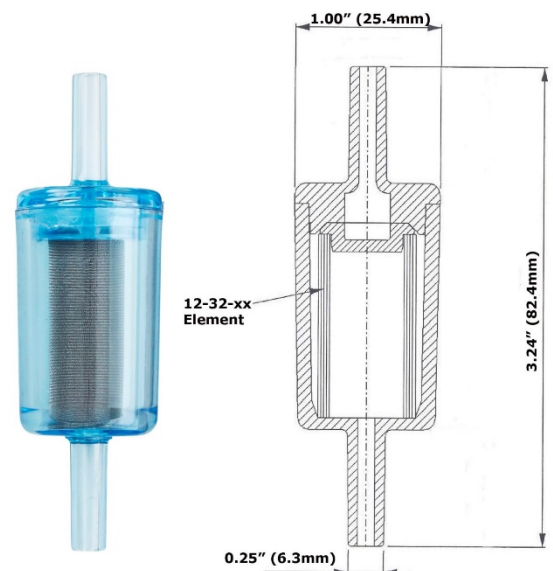
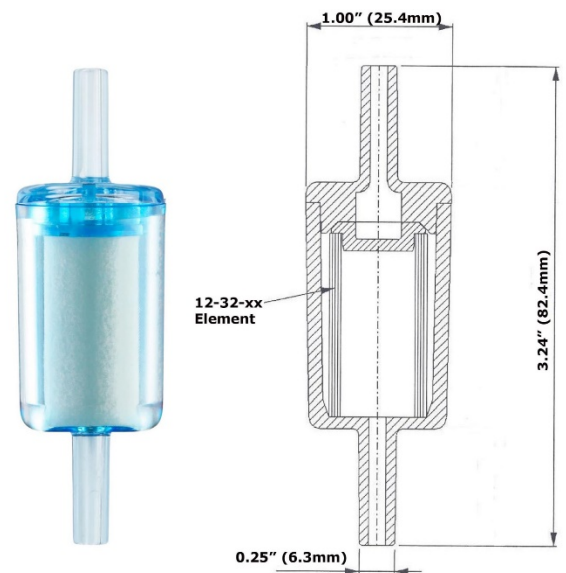
Other Grades Available: 30, 40, 60, 70, 80

Standard OEM Size with Stainless Steel Screen (DIF-BN__SS) *add micron required

For applications where high efficiency microfiber elements are not necessary, we offer inexpensive Stainless Steel Screens which are commonly used in portable emission analyzers, bulk contaminate removal and liquid sampling.

For Portable Emission Analyzers use DIF-BN50SS.
(55% to 70% efficient depending upon micron rating)

Other Micron Sizes Available: 05, 10, 25, 100



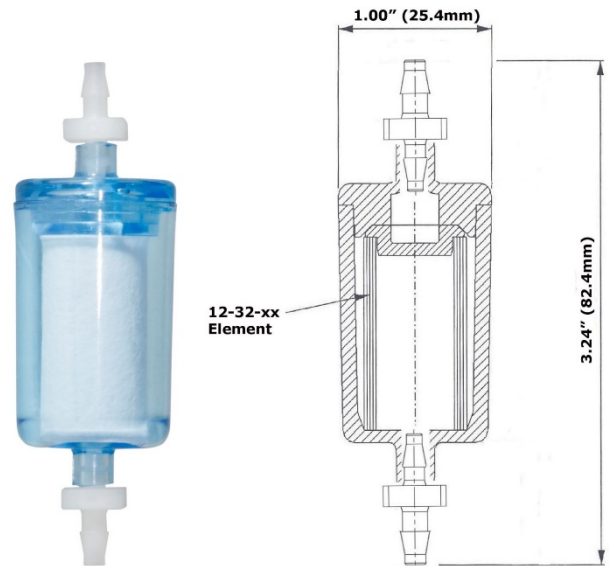
Additional Variations are Available Upon Request

Standard OEM Size w/1/8" Straight Barb (Short Spigot) (DIF-BN__SP-1/8")

Our standard DIF-BN series is by far the most commonly used size of DIF since it combines high efficiency filtration with low pressure drops in a compact package. For applications with 1/8" tubing, using the same foot pattern and size, please specify DIF-BN50SP-1/8".

Standard: DIF-BN50SP-1/8" (99.99% @ 0.01 Micron)
Air / Gas Applications: 99.99% efficient @ 0.01 Micron
Liquid Applications: 98% efficient @ 2micron

Other Grades Available: 30, 40, 60, 70, 80

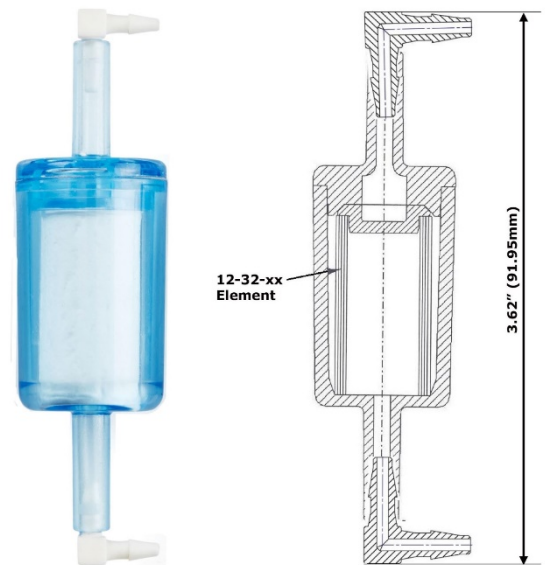


Standard OEM Size with 1/8" Elbow Barb (DIF-BN__-1/8"-90) *add grade required

Our standard DIF-BN series is by far the most commonly used size of DIF since it combines high efficiency filtration with low pressure drops in a compact package. This DIF is ideal for installations with restricted tubing connection space. Combinations of different size barbs are available upon request.

Standard Grade: DIF-BN50-1/8"-90 -
Air / Gas Applications: 99.99% efficient @ 0.01 Micron
Liquid Applications: 98% efficient @ 2micron

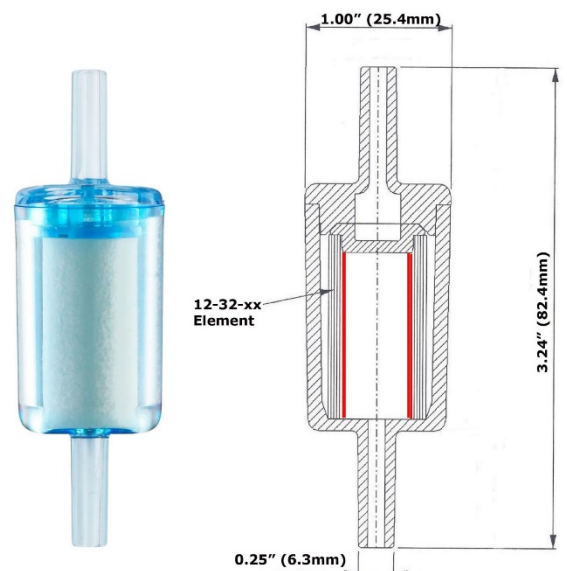
Other Grades Available: 30, 40, 60, 70, 80



Indicating Standard OEM Size with (DIF-BN50I)

The DIF-BN50I contains a **red dye** that bleeds through the element to provide an accurate visual indication when oil is present. The red dye will permeate through the element upon oil saturation. One common application are HVAC control panels. This dye can be added to any of our microfiber elements.

Simply Order as DIF-BN50I.
Air / Gas Applications Only



Additional Variations are Available Upon Request