



Technical Data

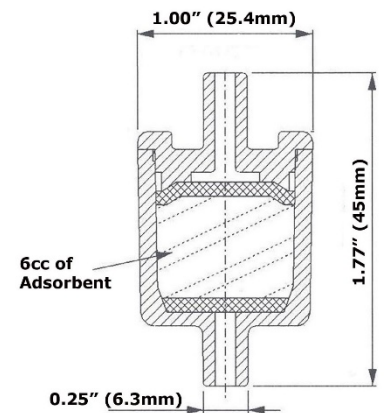
- 100% Grilamid TR 55 Blue Nylon Construction
- 1/8" ID Tube or 1/4" ID Tube
- 125 PSIG Maximum Pressure at 110°F
- 230°F Maximum Temp. at 0 PSIG
- Internal Volume (Empty): 6CC
- Air/Gas Flow Rate @ 100 PSIG: 2.1 SCFM (Maximum Recommended Flow Rate for Optimal Efficiency)

Miniature OEM Size Filled With Media (DIA-MN__) *add media required

The DIA-MN, mini DIA was designed specifically as a final last chance adsorber for critical equipment with a small footprint. They are ideally used for HVAC / Pneumatic temperature control protection.

Replace “__” with grade required

CC, 4A, 13X, SG, DR, MB, PP, HO, SB, CS, e.g. **DIA-MNCC**



Additional Variations are Available Upon Request

