



# DIA-IN / DIA-IK Series

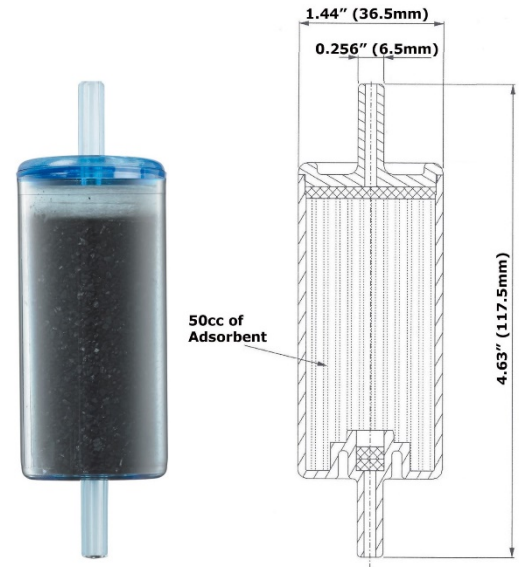
## Technical Data

- 100% Grilamid TR 55 Blue Nylon Construction / Virgin White Kynar
- 1/4" ID Tube
- 100 PSIG Maximum Pressure at 110°F
- 230°F Maximum Temp. at 0 PSIG
- Internal Volume (Empty): 50cc
- Air/Gas Flow Rate @ 100 PSIG: 10 SCFM (Maximum Recommended Flow Rate for Optimal Efficiency)

### Intermediate Nylon OEM High Flow DIA w/ Media (DIA-IN\_\_) \*add adsorbent required

Our intermediate range is utilized where higher vapor holding capacity is required. Larger volume for longer service life.

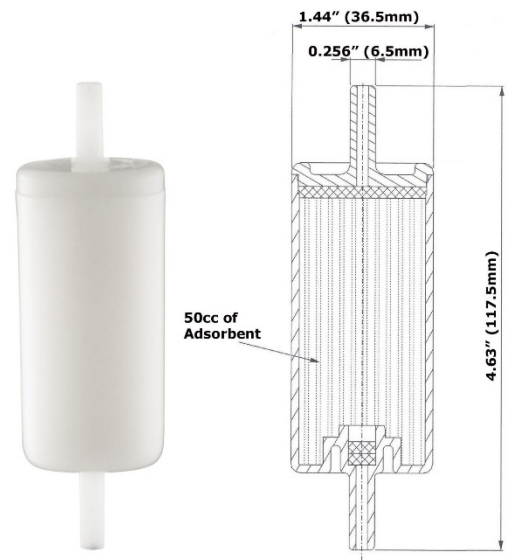
Replace "\_\_" w/media required  
CC, 4A, 13X, SG, DR, MB, PP, HO, SB, CS



### Intermediate Kynar DIA For Chemical Compatibility (DIA-IK\_\_) \*add adsorbent required

Our intermediate range is utilized where higher vapor holding capacity is required. Larger volume for longer service life.

Replace "\_\_" w/media required  
CC, 4A, 13X, SG, DR, MB, PP, HO, SB, CS



Additional Variations are Available Upon Request

