



DIA-BN / DIA-BK Series

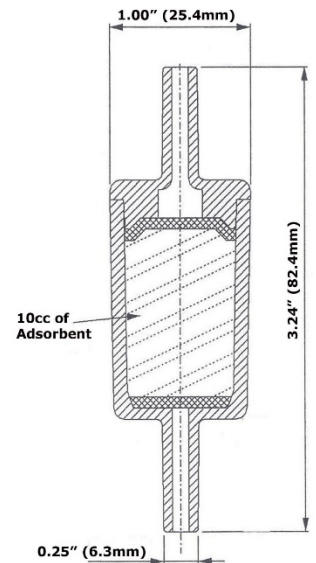
Technical Data

- 100% Grilamid TR 55 Blue Nylon Construction / Virgin White Kynar
- 1/8" ID Tube or 1/4" ID Tube
- 125 PSIG Maximum Pressure at 110°F
- 230°F Maximum Temp. at 0 PSIG
- Internal Volume (Empty): 11.5cc
- Air/Gas Flow Rate @ 100 PSIG: 4.2 SCFM (Maximum Recommended Flow Rate for Optimal Efficiency)

Standard OEM Size Filled With Media (DIA-BN__) *add media required

Our standard DIA-BN series is by far the most commonly used size of DIA. DIA's should be used only when small quantities of vapor are to be removed. Whether being used in an OEM cabinet, emission bench, or zero air applications this little gem is an economical workhorse.

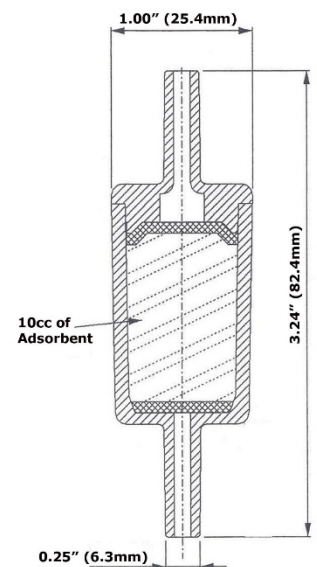
Replace "__" with grade required
CC, 4A, 13X, SG, DR, MB, PP, HO, SB, CS, e.g. **DIA-BNCC**



Standard OEM Size For Chemical Compatibility (DIA-BK__) *add media required

This series of DIA assemblies is constructed of virgin white kynar for corrosive applications.

Replace "__" with grade required
CC, 4A, 13X, SG, DR, MB, PP, HO, SB, CS, e.g. **DIA-BKCC**



Additional Variations are Available Upon Request

