



Model B360-OS

Technical Data

- Brass CZ121 Construction
- 1/4" NPT / Brass Manual Petcock Drain
- 250 PSIG Maximum Pressure
- Internal Volume (with Tie Rod / No Element): 140cc
- Viton O-Ring (Standard-Included)
- Total Weight: 2 lbs. (Standard Disposable Element Included)
- Flow Rate @ 100 PSIG: 44 SCFM (Maximum Recommended Flow Rate for Optimal Efficiency)
 - Based on 25-64-80C Standard Coalescing Grade Element, 75% Efficient at 0.01 Micron
 - Higher flow rates are supported with increased initial pressure drop

Elements Available:

25-64-**xxx**

Disposable Borosilicate Glass Microfiber Filter Element

25-64-80C – Standard Coalescing Filter Element ****Included****

SS-25-64-**xxT**

Stainless Steel Filter Element

Comes Standard with Teflon Seals "T", Add "V" for optional Viton Seals when Ordering
Micron Sizes: 005, 01, 03, 10, 25, 50, 100 and 200

25-64-**xxxX1**

Reinforced Borosilicate Glass Microfiber Filter Element

With Exterior Stainless Steel Cage

PT-25-64-**xx**

PTFE Filter Element

Micron Sizes: 03 and 25

PEL-25-64-**xx**

PEL (Polyethylene) Filter Element

Micron Sizes: 10, 25, and 75

25-64-**xx-TS**

Adsorption Cartridge

Adsorbents: CC, 4A, 13X, SG, DR, MB, PP, HO, SB, and CS

Replace "**xxx**" with grade, micron, or adsorbent needed. See [Filter Element Guide](#) for more information.

Available O-Rings:

GVB360

Viton (-15°F to 400°F) ****Standard - Included****

BNB360

Buna-N (-40°F to 250°F)

KZB360

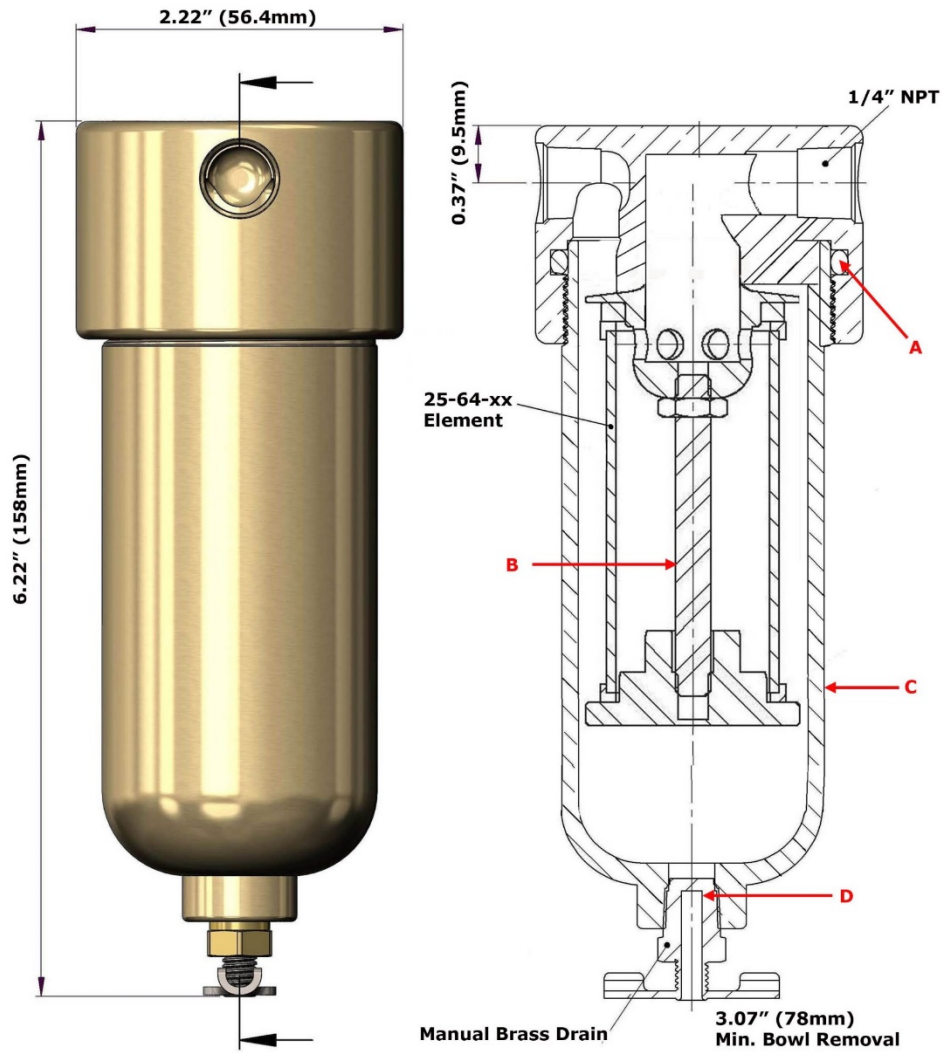
Perfluoroelastomer (5°F to 600°F)

GSB360

Silicone (-65°F to 400°F)

GEB360

EPDM (-65°F to 300°F)



Replacement Parts:

GVB360	Viton (-15°F to 400°F) (A) **Standard - Included**
BR360	Brass Tie Rod and Element Retainer (B)
BB-B360	Brass Bowl (C)
PET300	Brass Manual Petcock (D)