



## Technical Data

- Kynar Construction
- 1/8" NPT / No Drain
- 100 PSIG Maximum Pressure
- Internal Volume (with Tie Rod / No Element): 52CC
- Viton O-Ring (Standard-Included)
- Total Weight: 0.5 lbs.
- Flow Rate @ 100 PSIG: 27 SCFM (Maximum Recommended Flow Rate for Optimal Efficiency)
  - Based on 12-57-70C Standard Coalescing Grade Element, 95% Efficient at 0.01 Micron
  - Higher flow rates are supported with increased initial pressure drop

### Elements Available:

12-57-**xxx**

#### **Disposable Borosilicate Glass Microfiber Filter Element**

12-57-70C – Standard Coalescing Filter Element

SS-12-57-**xxT**

#### **Stainless Steel Filter Element**

Comes Standard with Teflon Seals "T", Add "V" for optional Viton Seals when Ordering  
Micron Sizes: 005, 01, 03, 10, 25, 50, 100 and 200

PT-12-57-**xx**

#### **PTFE Filter Element**

Micron Sizes: 03 and 25

PEL-12-57-**xx**

#### **PEL (Polyethylene) Filter Element**

Micron Sizes: 10, 25, and 75

Replace "**xxx**" with grade or micron needed. See [Filter Element Guide](#) for more information.

### Available O-Rings:

**GV710**

**Viton (-15°F to 400°F) **\*\*Standard - Included\*\*****

BN710

Buna-N (-40°F to 250°F)

KZ710

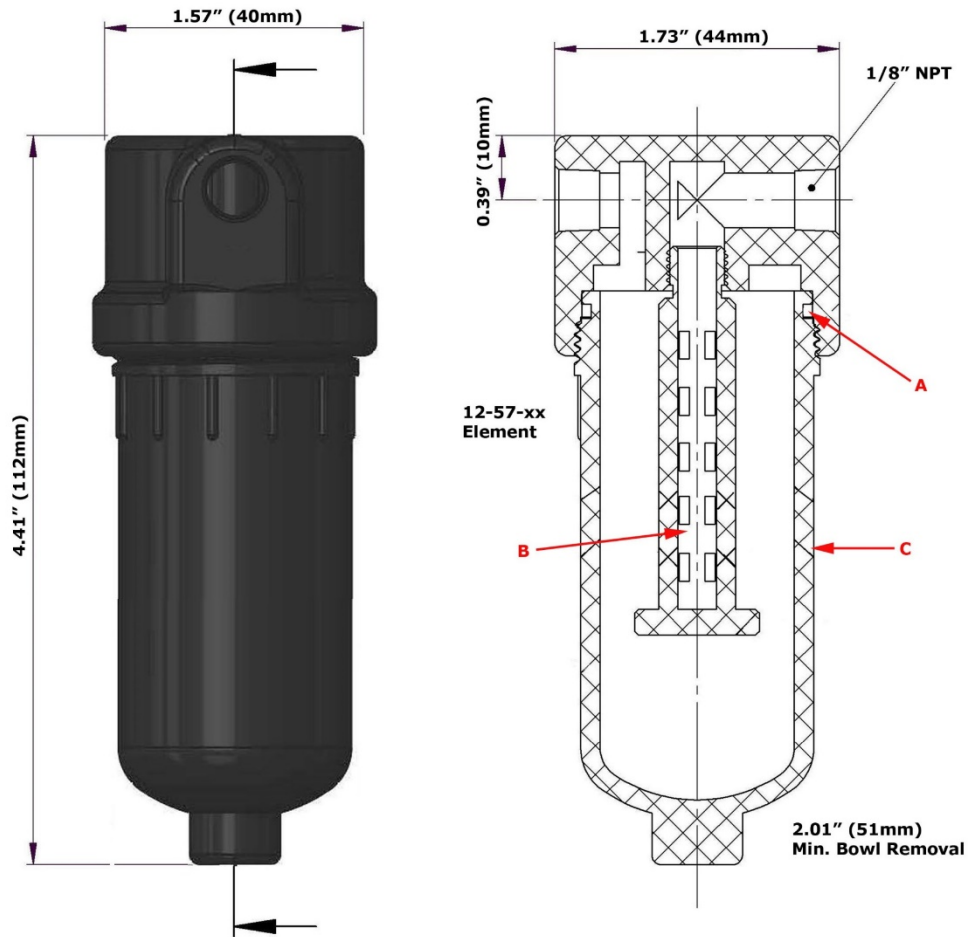
Perfluoroelastomer (5°F to 600°F)

GS710

Silicone (-65°F to 400°F)

GE710

EPDM (-65°F to 300°F)



### Replacement Parts:

|        |   |
|--------|---|
| GV710  | Viton (-15°F to 400°F) (A) <b>**Standard - Included**</b> |
| TR730K | Kynar Element Retainer (B)                                |
| KB725  | Kynar Bowl (C)  |

### Accessories:

|         |   |
|---------|---|
| MBSS315 | Stainless Steel Mounting Bracket<br>(M5 x 10 Full Thread on 1.00" Center @ 90° to Port) |
|---------|---|