



Technical Data

- Nylon Construction
- 1/4" NPT / Manual Twist Drain
- 100 PSIG Maximum Pressure
- Internal Volume (with Tie Rod / No Element): 40CC
- Viton O-Ring (Standard-Included)
- Total Weight: 0.5 lbs.
- Flow Rate @ 100 PSIG: 23 SCFM (Maximum Recommended Flow Rate for Optimal Efficiency)
 - Based on 12-32-70C Standard Coalescing Grade Element, 95% Efficient at 0.01 Micron
 - Higher flow rates are supported with increased initial pressure drop

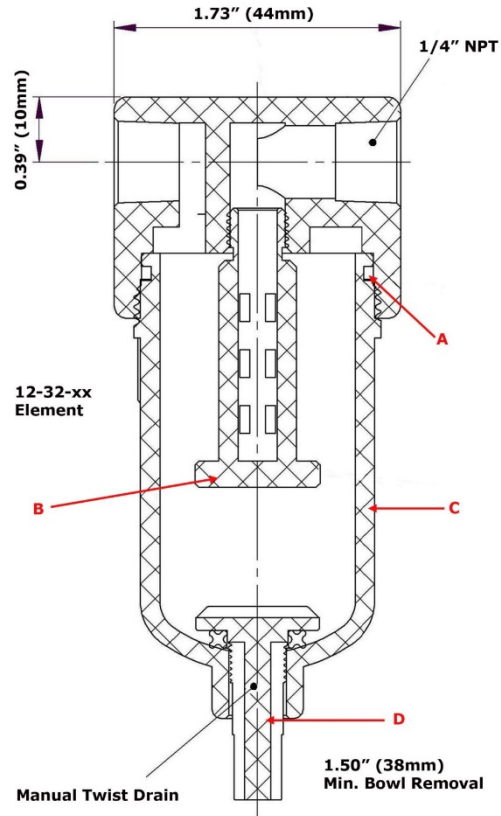
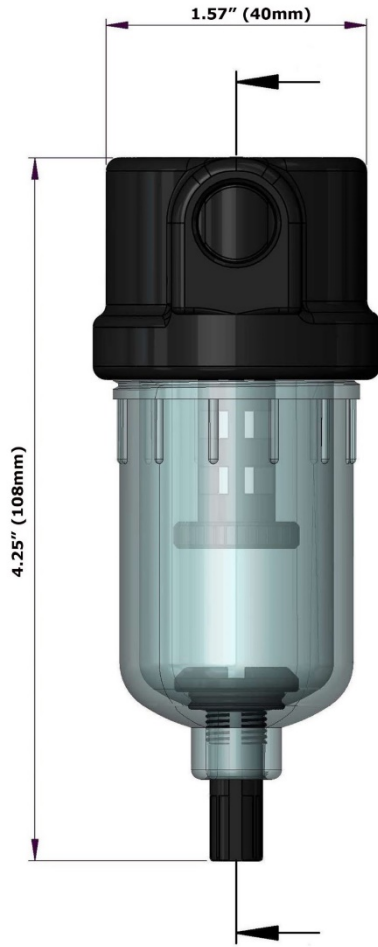
Elements Available:

12-32- xxx	Disposable Borosilicate Glass Microfiber Filter Element 12-32-70C – Standard Coalescing Filter Element
SS-12-32- xxT	Stainless Steel Filter Element Comes Standard with Teflon Seals "T", Add "V" for optional Viton Seals when Ordering Micron Sizes: 005, 01, 03, 10, 25, 50, 100 and 200
12-48- 10 PLCL	Pleated Cellulose Filter Element Micron Size: 10
PT-12-32- xx	PTFE Filter Element Micron Sizes: 03 and 25
PEL-12-32- xx	PEL (Polyethylene) Filter Element Micron Sizes: 10, 25, and 75

Replace "**xxx**" with grade or micron needed. See [Filter Element Guide](#) for more information.

Available O-Rings:

GV710	Viton (-15°F to 400°F) **Standard - Included**
BN710	Buna-N (-40°F to 250°F)
KZ710	Perfluoroelastomer (5°F to 600°F)
GS710	Silicone (-65°F to 400°F)
GE710	EPDM (-65°F to 300°F)



Replacement Parts:

GV710	Viton (-15°F to 400°F) (A) **Standard - Included**
TR315	Nylon Element Retainer (B)
NB710	Nylon Bowl (C)
DV360	Nylon Manual Twist Drain (D)

Accessories:

MBSS315	Stainless Steel Mounting Bracket (M5 x 10 Full Thread on 1.00" Center @ 90° to Port)
---------	---

