



## Technical Data

- Nylon Construction
- 1/8" NPT / Manual Twist Drain
- 100 PSIG Maximum Pressure
- Internal Volume (with Tie Rod / No Element): 40CC
- Viton O-Ring (Standard-Included)
- Total Weight: 0.5 lbs.
- Flow Rate @ 100 PSIG: 23 SCFM (Maximum Recommended Flow Rate for Optimal Efficiency)
  - Based on 12-32-70C Standard Coalescing Grade Element, 95% Efficient at 0.01 Micron
  - Higher flow rates are supported with increased initial pressure drop

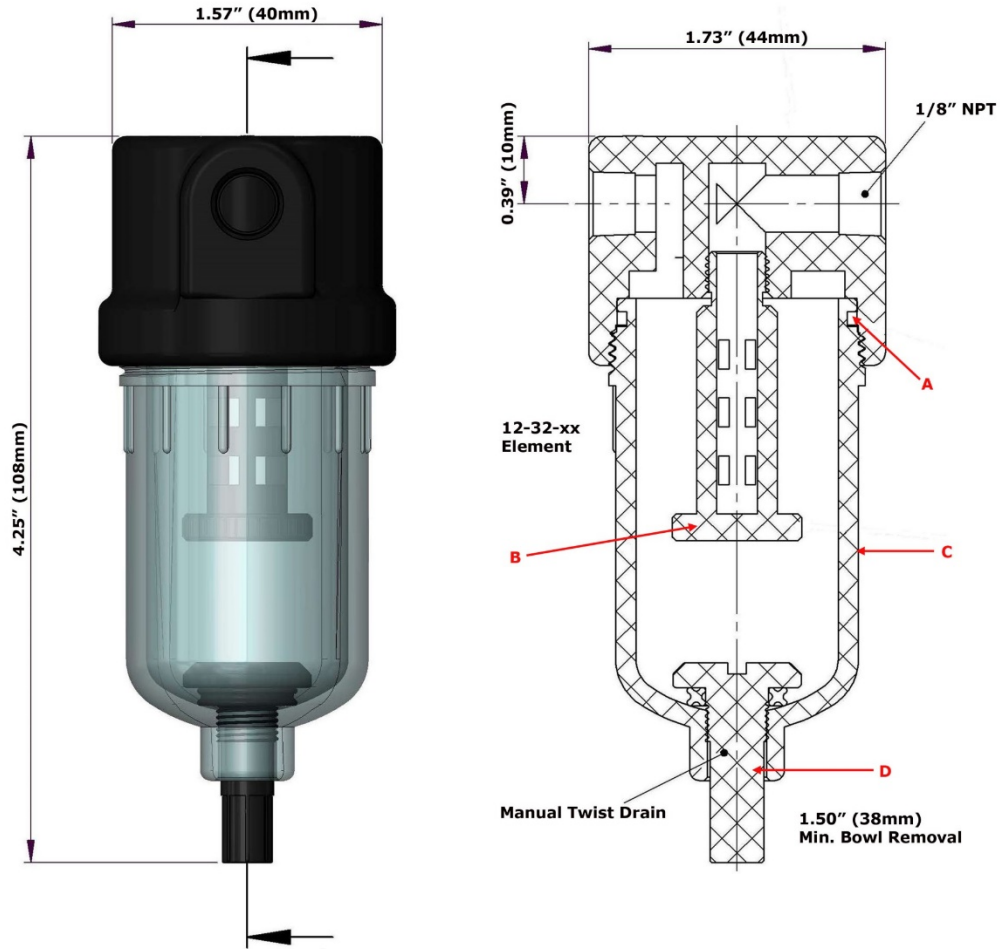
### Elements Available:

12-32- <b>xxx</b>	<b>Disposable Borosilicate Glass Microfiber Filter Element</b> 12-32-70C – Standard Coalescing Filter Element
SS-12-32- <b>xxT</b>	<b>Stainless Steel Filter Element</b> Comes Standard with Teflon Seals "T", Add "V" for optional Viton Seals when Ordering Micron Sizes: 005, 01, 03, 10, 25, 50, 100 and 200
12-48- <b>10</b> PLCL	<b>Pleated Cellulose Filter Element</b> Micron Size: 10
PT-12-32- <b>xx</b>	<b>PTFE Filter Element</b> Micron Sizes: 03 and 25
PEL-12-32- <b>xx</b>	<b>PEL (Polyethylene) Filter Element</b> Micron Sizes: 10, 25, and 75

Replace "**xxx**" with grade or micron needed. See [Filter Element Guide](#) for more information.

### Available O-Rings:

<b>GV710</b>	<b>Viton (-15°F to 400°F) <b>**Standard - Included**</b></b>
BN710	Buna-N (-40°F to 250°F)
KZ710	Perfluoroelastomer (5°F to 600°F)
GS710	Silicone (-65°F to 400°F)
GE710	EPDM (-65°F to 300°F)



### Replacement Parts:

GV710	Viton (-15°F to 400°F) (A) <b>**Standard - Included**</b>
TR315	Nylon Element Retainer (B)
NB710	Nylon Bowl (C)
DV360	Nylon Manual Twist Drain (D)

### Accessories:

MBSS315	Stainless Steel Mounting Bracket (M5 x 10 Full Thread on 1.00" Center @ 90° to Port)
---------	-----------------------------------------------------------------------------------------