



Model 385AHPF

Technical Data

- Anodized Aluminum Construction
- 1 1/2" NPT / Automatic Float Drain
- 250 PSIG Maximum Pressure
- Internal Volume (with Tie Rod / No Element): 1440cc
- Buna-N O-Ring (Standard-Included)
- Total Weight: 11 lbs. (Standard Disposable Element Included)
- Flow Rate @ 100 PSIG: 630 SCFM (Maximum Recommended Flow Rate for Optimal Efficiency)
 - Based on 51-230-70CS Standard Coalescing Grade Element, 95% Efficient at 0.01 Micron
 - Higher flow rates are supported with increased initial pressure drop

Elements Available:

51-230-xxx

Disposable Borosilicate Glass Microfiber Filter Element

51-230-70CS – Standard Recommended Coalescing Filter Element ****Included****

SS-51-230-xxT

Stainless Steel Filter Element

Comes Standard with Teflon Seals "T", Add "V" for optional Viton Seals when Ordering
Micron Sizes: 005, 01, 03, 10, 25, 50, 100 and 200

51-230-xxxX1

Reinforced Borosilicate Glass Microfiber Filter Element

With Exterior Stainless Steel Cage

Replace "xxx" with grade or micron needed. See [Filter Element Guide](#) for more information.

Available O-Rings:

BN385AHP

Buna-N (-40°F to 250°F) ****Standard - Included****

GV385AHP

Viton (-15°F to 400°F)

KZ385AHP

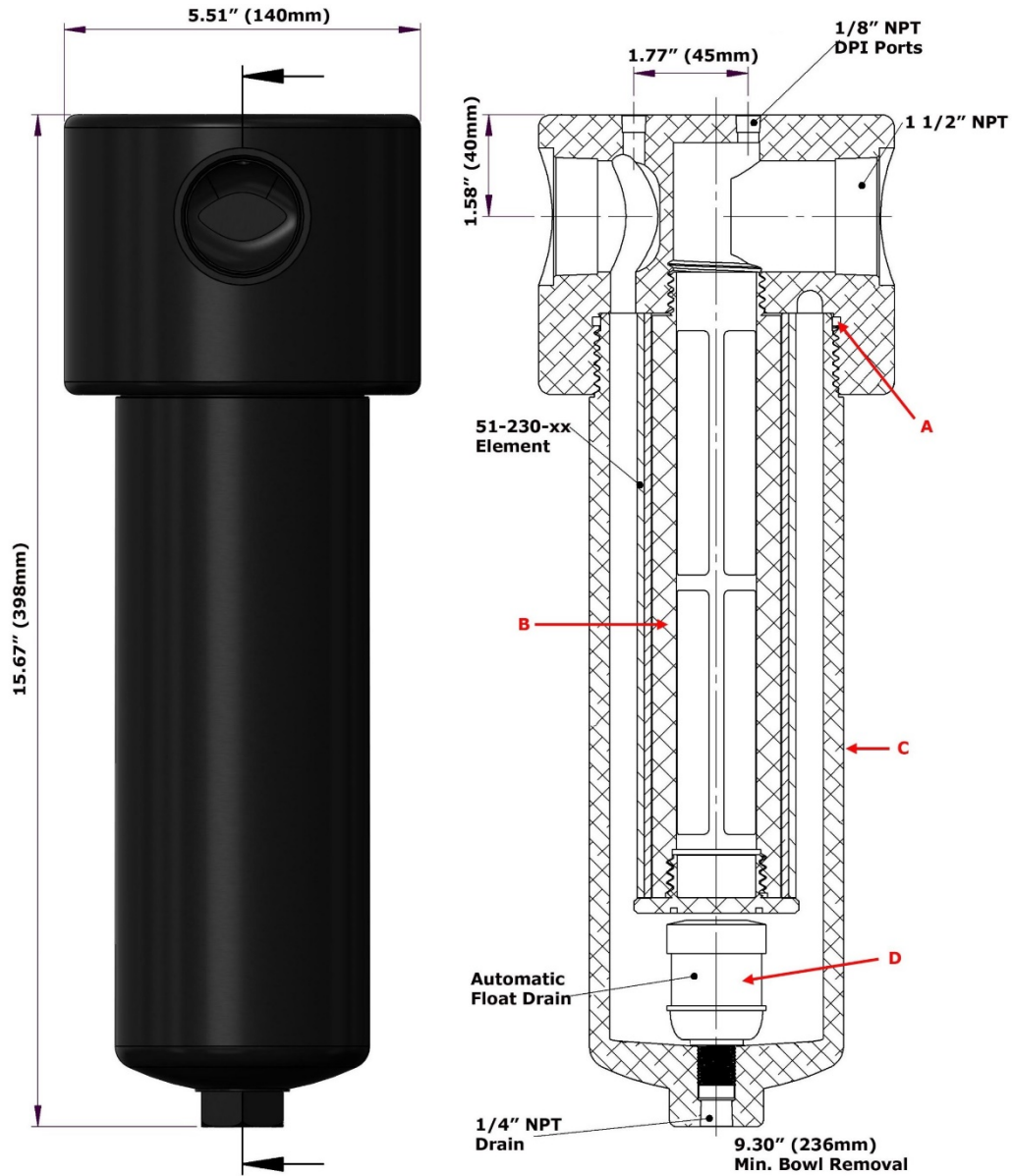
Perfluoroelastomer (5°F to 600°F)

GS385AHP

Silicone (-65°F to 400°F)

GE385AHP

EPDM (-65°F to 300°F)



Replacement Parts:

BN385AHP	Buna-N (-40°F to 250°F) (A) **Standard - Included**
TR385	Nylon Element Retainer (B)
AB385AHP	Anodized Aluminum Bowl (C)
FD300	Nylon Automatic Float Drain (D)

Accessories:

MB385-VDI	Painted Steel Mounting Bracket (M10 x 22 Full Thread on 3.54" Center @ 90° to Port)
-----------	--

