



Model 385AHP

Technical Data

- Anodized Aluminum Construction
- 1 1/2" NPT / 1/4" NPT Drain
- 1,000 PSIG Maximum Pressure
- Internal Volume (with Tie Rod / No Element): 1500cc
- Buna-N O-Ring (Standard-Included)
- Total Weight: 11 lbs. (Standard Disposable Element Included)
- Flow Rate @ 100 PSIG: 630 SCFM (Maximum Recommended Flow Rate for Optimal Efficiency)
 - Based on 51-230-70CS Standard Coalescing Grade Element, 95% Efficient at 0.01 Micron
 - Higher flow rates are supported with increased initial pressure drop

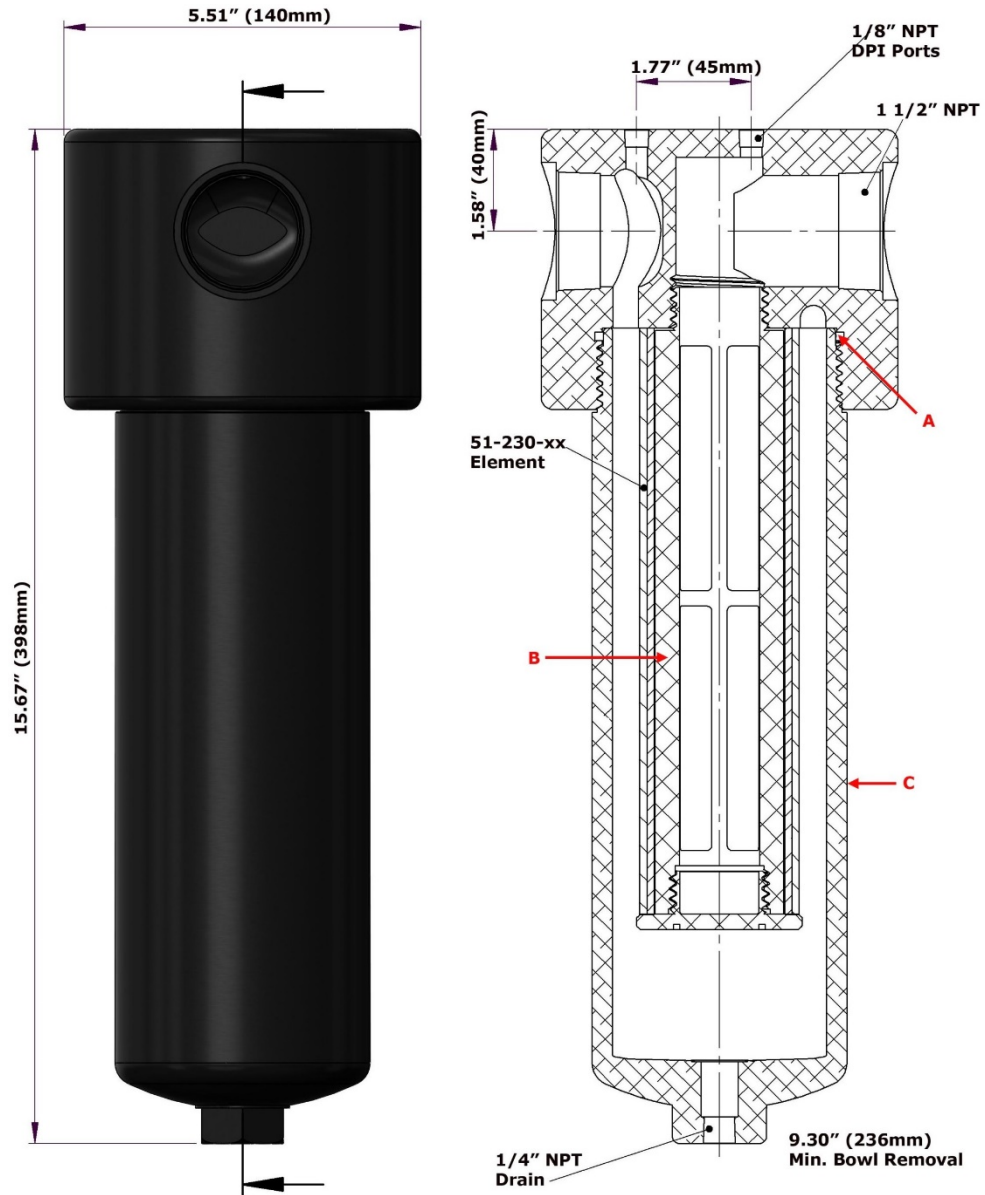
Elements Available:

51-230-xxx	Disposable Borosilicate Glass Microfiber Filter Element 51-230-70CS – Standard Recommended Coalescing Filter Element **Included**
SS-51-230-xxT	Stainless Steel Filter Element Comes Standard with Teflon Seals "T", Add "V" for optional Viton Seals when Ordering Micron Sizes: 005, 01, 03, 10, 25, 50, 100 and 200
51-230-xxxX1	Reinforced Borosilicate Glass Microfiber Filter Element With Exterior Stainless Steel Cage
TRE51-230-xxPLMG	Pleated Micro Glass Filter Element with Integral Support Micron Sizes: 03, 10, and 25
TRE51-230-xxPLSS	Pleated Stainless Steel Filter Element with Integral Support Micron Sizes: 05, 10, 25, 50, 100
TRE51-230-xx	Adsorption Cartridge Adsorbents: CC, 4A, 13X, SG, DR, MB, PP, HO, SB, and CS

Replace "xxx" with grade, micron, or adsorbent needed. See [Filter Element Guide](#) for more information.

Available O-Rings:

BN385AHP	Buna-N (-40°F to 250°F) **Standard - Included**
GV385AHP	Viton (-15°F to 400°F)
KZ385AHP	Perfluoroelastomer (5°F to 600°F)
GS385AHP	Silicone (-65°F to 400°F)
GE385AHP	EPDM (-65°F to 300°F)



Replacement Parts:

BN385AHP	Buna-N (-40°F to 250°F) (A) **Standard - Included**
TR385	Nylon Element Retainer (B)
AB385AHP	Anodized Aluminum Bowl (C)

Accessories:

MB385-VDI	Painted Steel Mounting Bracket (M10 x 22 Full Thread on 3.54" Center @ 90° to Port)
-----------	--

