



## Technical Data

- Anodized Aluminum Construction
- 1" NPT / 1/4" NPT Drain
- 1,500 PSIG Maximum Pressure
- Internal Volume (with Tie Rod / No Element): 760cc
- Buna-N O-Ring (Standard-Included)
- Total Weight: 8 lbs. (Standard Disposable Element Included)
- Flow Rate @ 100 PSIG: 361 SCFM (Maximum Recommended Flow Rate for Optimal Efficiency)
  - Based on 38-152-70CS Standard Coalescing Grade Element, 95% Efficient at 0.01 Micron
  - Higher flow rates are supported with increased initial pressure drop

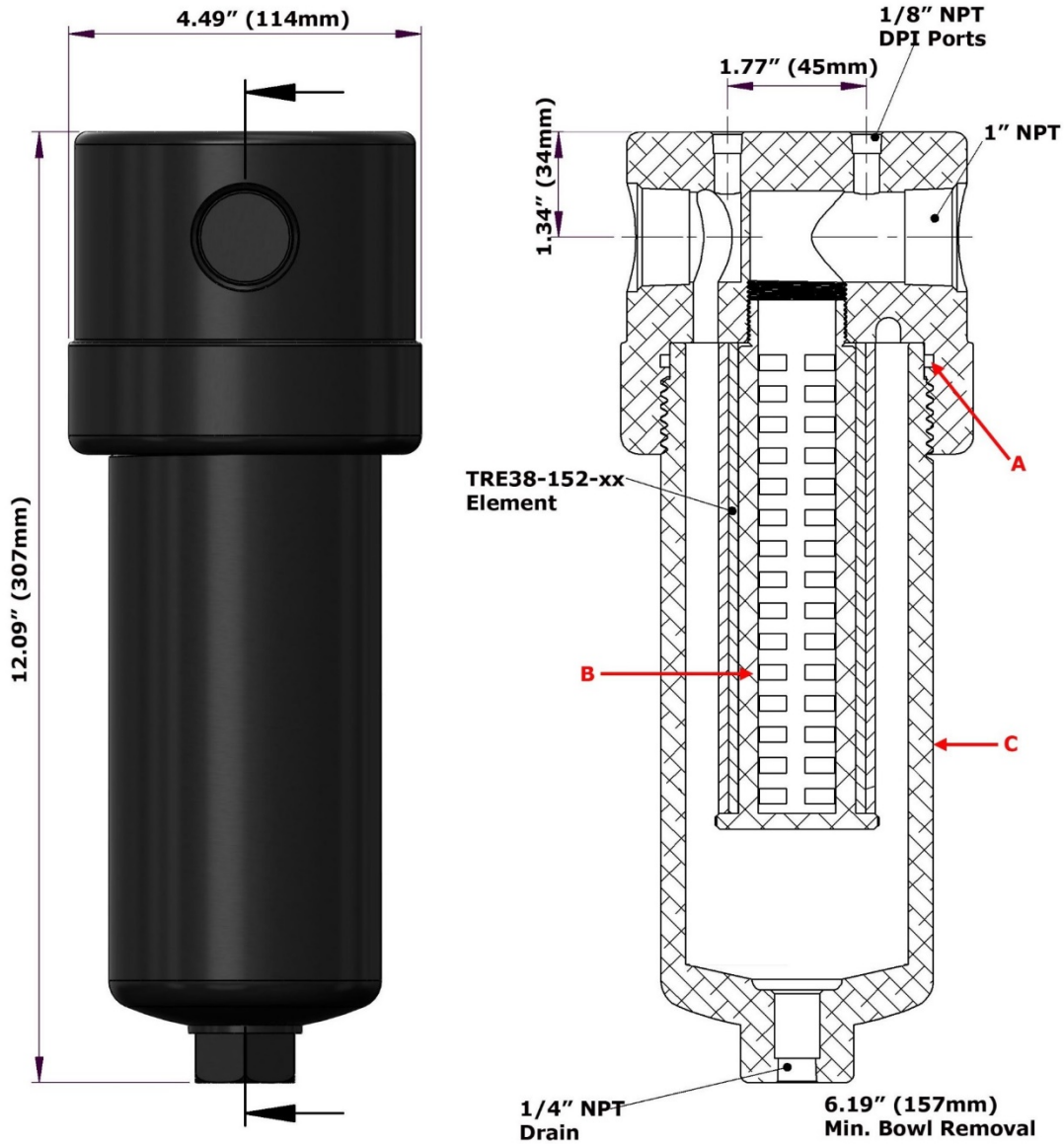
### Elements Available:

TRE38-152- <b>xxx</b>	<b>Disposable Borosilicate Glass Microfiber Filter Element with Integral Support</b> TRE38-152-70CS – Standard Coalescing Filter Element <b>**Included**</b>
SS-38-152- <b>xxT</b>	<b>Stainless Steel Filter Element</b> Comes Standard with Teflon Seals "T", Add "V" for optional Viton Seals when Ordering Micron Sizes: 005, 01, 03, 10, 25, 50, 100 and 200
TRE38-152- <b>xxxX1</b>	<b>Reinforced Borosilicate Glass Microfiber Filter Element with Integral Support</b> With Exterior Stainless Steel Cage
PEL-38-152- <b>xx</b>	<b>PEL (Polyethylene) Filter Element</b> Micron Sizes: 10 and 25
TRE38-152- <b>xxPLMG</b>	<b>Pleated Micro Glass Filter Element with Integral Support</b> Micron Sizes: 03, 10 and 25
TRE38-152- <b>xx</b>	<b>Adsorption Cartridge</b> Adsorbents: CC, 4A, 13X, SG, DR, MB, PP, HO, SB, and CS

Replace "**xxx**" with grade, micron, or adsorbent needed. See [Filter Element Guide](#) for more information.

### Available O-Rings:

<b>BN380AHP</b>	<b>Buna-N (-40°F to 250°F) <b>**Standard - Included**</b></b>
GV380AHP	Viton (-15°F to 400°F)
KZ380AHP	Perfluoroelastomer (5°F to 600°F)
GS380AHP	Silicone (-65°F to 400°F)
GE380AHP	EPDM (-65°F to 300°F)



**Replacement Parts:**

BN380AHP	Buna-N (-40°F to 250°F) (A) <b>**Standard - Included**</b>
TR380	Nylon Element Retainer (B)
AB380AHP	Anodized Aluminum Bowl (C)

**Accessories:**

MB380-3277-VDI	Stainless Steel Mounting Bracket (M10 x 25 Full Thread on 2.50" Center @ 90° to Port)
----------------	--

