



# Model 383AHP-241

## Technical Data

- Anodized Aluminum Construction
- 1" NPT / 1/4" NPT Drain
- 1,500 PSIG Maximum Pressure
- Internal Volume (with Tie Rod / No Element): 1270cc
- Buna-N O-Ring (Standard-Included)
- Total Weight: 9 lbs. (Standard Disposable Element Included)
- Flow Rate @ 100 PSIG: 480 SCFM (Maximum Recommended Flow Rate for Optimal Efficiency)
  - Based on 38-241-70CS Standard Coalescing Grade Element, 95% Efficient at 0.01 Micron
  - Higher flow rates are supported with increased initial pressure drop

### Elements Available:

38-241-**xxx**

#### **Disposable Borosilicate Glass Microfiber Filter Element**

38-241-70CS – Standard Coalescing Filter Element **\*\*Included\*\***

38-241-**xxx**X1

#### **Reinforced Borosilicate Glass Microfiber Filter Element**

With Exterior Stainless Steel Cage

TRE38-241-**xx**

#### **Adsorption Cartridge**

Adsorbents: CC, 4A, 13X, SG, DR, MB, PP, HO, SB, and CS

Replace “**xxx**” with grade or adsorbent needed. See [Filter Element Guide](#) for more information.

### Available O-Rings:

**BN380AHP**

**Buna-N (-40°F to 250°F) **\*\*Standard - Included\*\*****

GV380AHP

Viton (-15°F to 400°F)

KZ380AHP

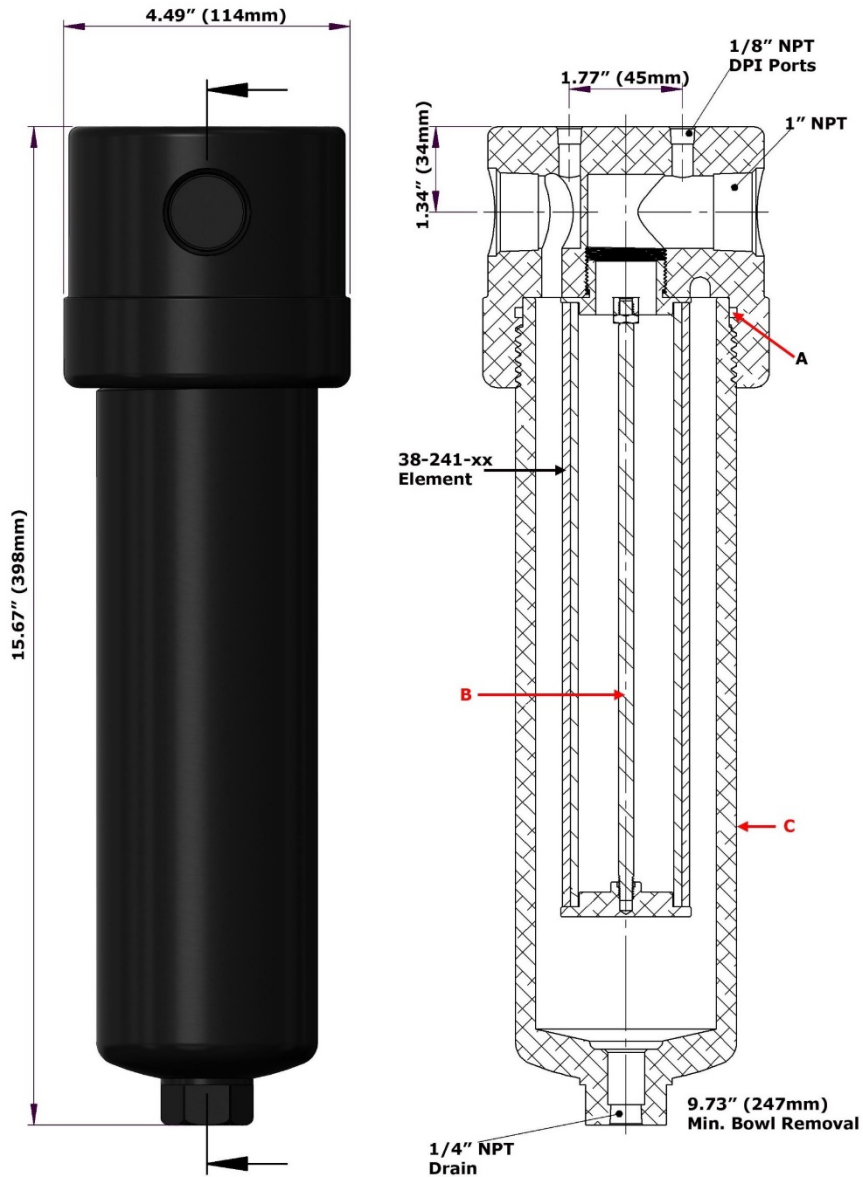
Perfluoroelastomer (5°F to 600°F)

GS380AHP

Silicone (-65°F to 400°F)

GE380AHP

EPDM (-65°F to 300°F)



### Replacement Parts:

|              |  |
|--------------|--|
| BN380AHP     | Buna-N (-40°F to 250°F) (A) <b>**Standard - Included**</b>         |
| ER380AHP-241 | Stainless Steel Tie Rod and Anodized Aluminum Element Retainer (B) |
| AB380AHP-241 | Anodized Aluminum Bowl (C)   |

### Accessories:

|                |  |
|----------------|--|
| SC380AHP-241   | Stainless Steel Support Core   |
| MB380-3277-VDI | Stainless Steel Mounting Bracket<br>(M10 x 25 Full Thread on 2.50" Center @ 90° to Port) |