



# Model 380AHP

## Technical Data

- Anodized Aluminum Construction
- 3/4" NPT / 1/4" NPT Drain
- 1,500 PSIG Maximum Pressure
- Internal Volume (with Tie Rod / No Element): 760cc
- Buna-N O-Ring (Standard-Included)
- Total Weight: 8 lbs. (Standard Disposable Element Included)
- Flow Rate @ 100 PSIG: 361 SCFM (Maximum Recommended Flow Rate for Optimal Efficiency)
  - Based on 38-152-70CS Standard Coalescing Grade Element, 95% Efficient at 0.01 Micron
  - Higher flow rates are supported with increased initial pressure drop

### Elements Available:

TRE38-152-**xxx**

#### **Disposable Borosilicate Glass Microfiber Filter Element with Integral Support**

TRE38-152-70CS – Standard Coalescing Filter Element **\*\*Included\*\***

SS-38-152-**xxT**

#### **Stainless Steel Filter Element**

Comes Standard with Teflon Seals "T", Add "V" for optional Viton Seals when Ordering  
Micron Sizes: 005, 01, 03, 10, 25, 50, 100 and 200

TRE38-152-**xxxX1**

#### **Reinforced Borosilicate Glass Microfiber Filter Element with Integral Support**

With Exterior Stainless Steel Cage

PEL-38-152-**xx**

#### **PEL (Polyethylene) Filter Element**

Micron Sizes: 10 and 25

TRE38-152-**xx**PLMG

#### **Pleated Micro Glass Filter Element with Integral Support**

Micron Sizes: 03, 10 and 25

TRE38-152-**xx**

#### **Adsorption Cartridge**

Adsorbents: CC, 4A, 13X, SG, DR, MB, PP, HO, SB, and CS

Replace "**xxx**" with grade, micron, or adsorbent needed. See [Filter Element Guide](#) for more information.

### Available O-Rings:

**BN380AHP**

**Buna-N (-40°F to 250°F) **\*\*Standard - Included\*\*****

GV380AHP

Viton (-15°F to 400°F)

KZ380AHP

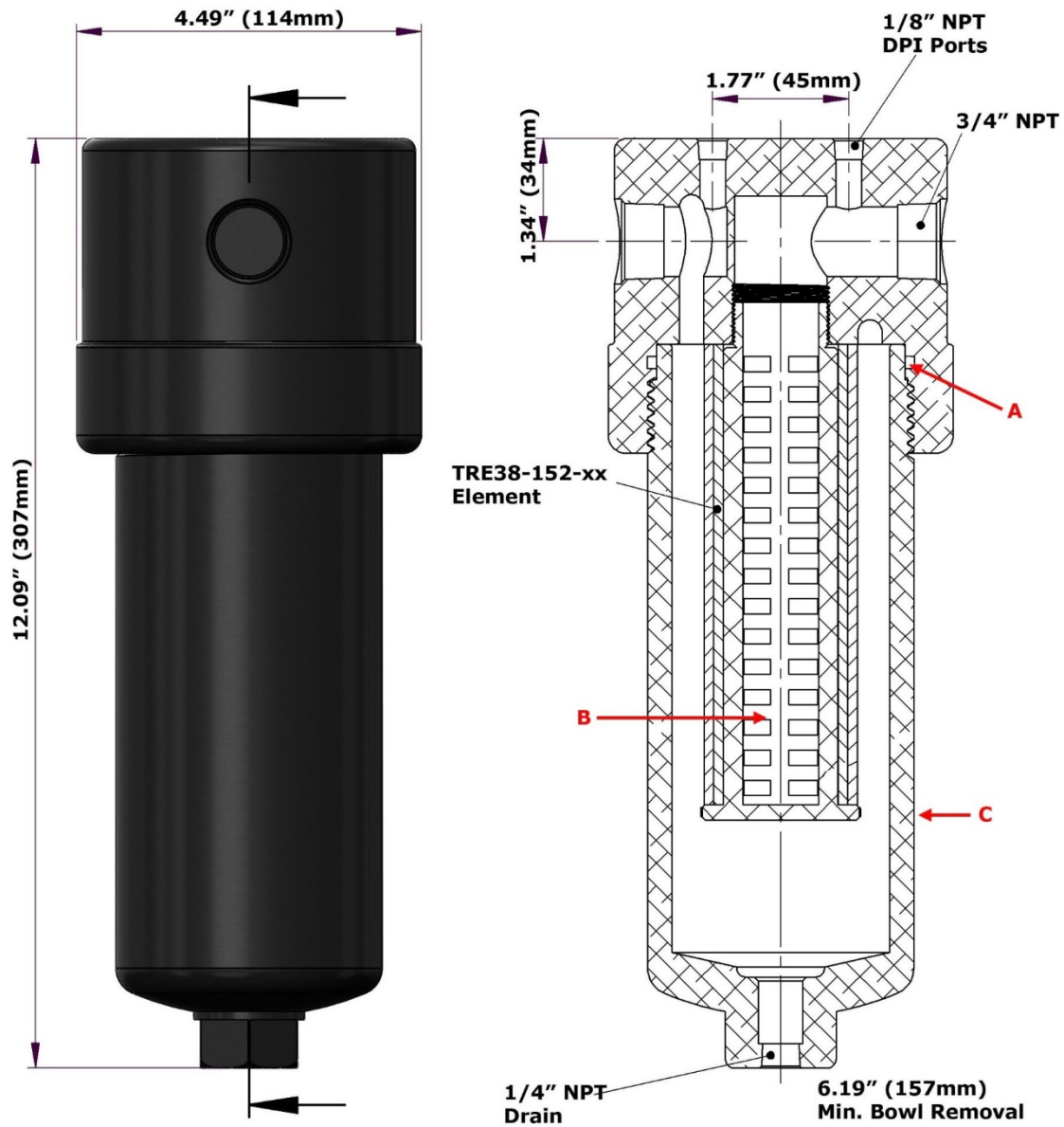
Perfluoroelastomer (5°F to 600°F)

GS380AHP

Silicone (-65°F to 400°F)

GE380AHP

EPDM (-65°F to 300°F)



**Replacement Parts:**

BN380AHP	Buna-N (-40°F to 250°F) (A) <b>**Standard - Included**</b>
TR380	Nylon Element Retainer (B)
AB380AHP	Anodized Aluminum Bowl (C)

**Accessories:**

MB380-3277-VDI	Stainless Steel Mounting Bracket (M10 x 25 Full Thread on 2.50" Center @ 90° to Port)
----------------	--

