



Model 380AHP-241

Technical Data

- Anodized Aluminum Construction
- 3/4" NPT / 1/4" NPT Drain
- 1,500 PSIG Maximum Pressure
- Internal Volume (with Tie Rod / No Element): 1270cc
- Buna-N O-Ring (Standard-Included)
- Total Weight: 9 lbs. (Standard Disposable Element Included)
- Flow Rate @ 100 PSIG: 480 SCFM (Maximum Recommended Flow Rate for Optimal Efficiency)
 - Based on 38-241-70CS Standard Coalescing Grade Element, 95% Efficient at 0.01 Micron
 - Higher flow rates are supported with increased initial pressure drop

Elements Available:

38-241-xxx

Disposable Borosilicate Glass Microfiber Filter Element

38-241-70CS – Standard Coalescing Filter Element ****Included****

38-241-xxxX1

Reinforced Borosilicate Glass Microfiber Filter Element

With Exterior Stainless Steel Cage

TRE38-241-xx

Adsorption Cartridge

Adsorbents: CC, 4A, 13X, SG, DR, MB, PP, HO, SB, and CS

Replace “xxx” with grade or adsorbent needed. See [Filter Element Guide](#) for more information.

Available O-Rings:

BN380AHP

Buna-N (-40°F to 250°F) **Standard - Included******

GV380AHP

Viton (-15°F to 400°F)

KZ380AHP

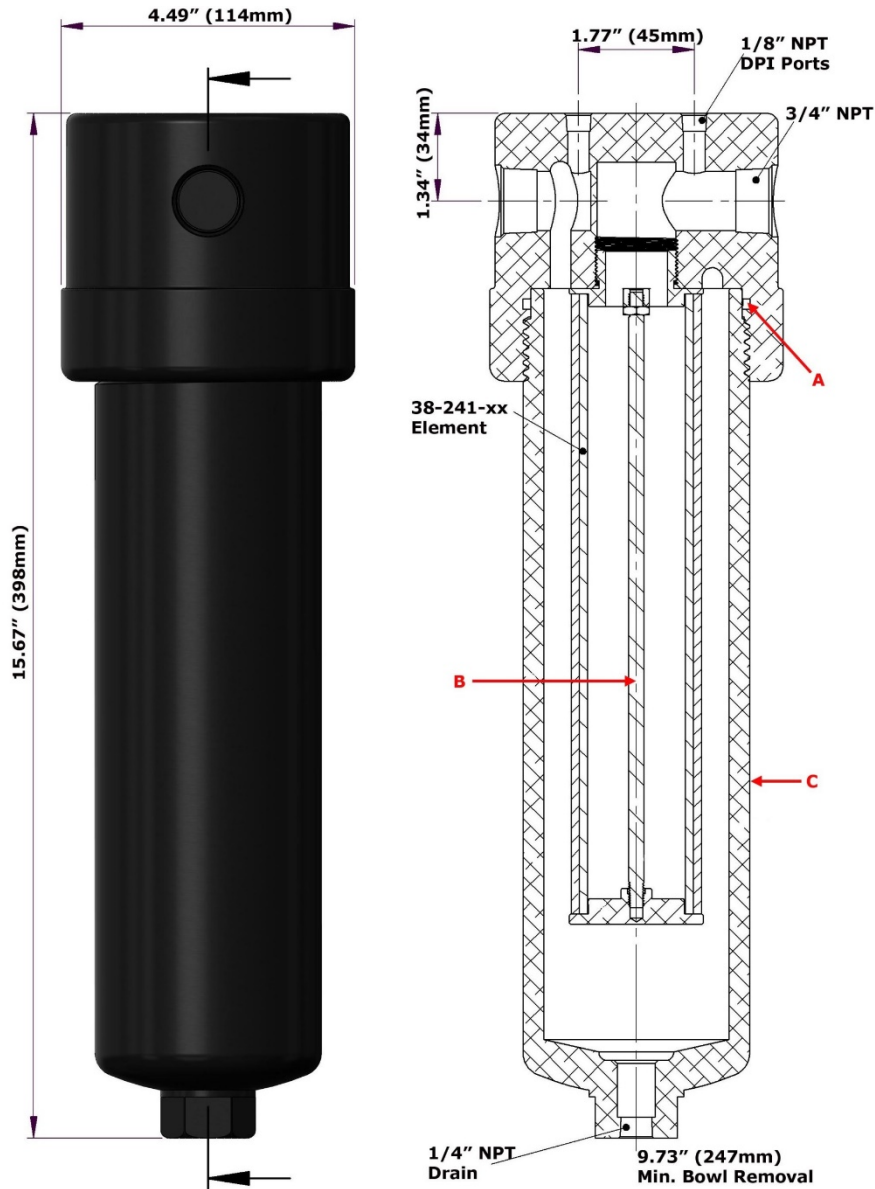
Perfluoroelastomer (5°F to 600°F)

GS380AHP

Silicone (-65°F to 400°F)

GE380AHP

EPDM (-65°F to 300°F)



Replacement Parts:

BN380AHP	Buna-N (-40°F to 250°F) (A) **Standard - Included**
ER380AHP-241	Stainless Steel Tie Rod and Anodized Aluminum Element Retainer (B)
AB380AHP-241	Anodized Aluminum Bowl (C)

Accessories:

SC380AHP-241	Stainless Steel Support Core
MB380-3277-VDI	Stainless Steel Mounting Bracket (M10 x 25 Full Thread on 2.50" Center @ 90° to Port)

