



# Model 375AFVDI-4050

## Technical Data

- Anodized Aluminum Construction
- 1/2" NPT / Automatic Float Drain
- 250 PSIG Maximum Pressure
- Internal Volume (with Tie Rod / No Element): 310cc
- Buna-N O-Ring (Standard-Included)
- Total Weight: 3.5 lbs. (Standard Disposable Element Included)
- Flow Rate @ 100 PSIG: 80 SCFM (Maximum Recommended Flow Rate for Optimal Efficiency)
  - Based on 25-127-70C Standard Coalescing Grade Element, 95% Efficient at 0.01 Micron
  - Higher flow rates are supported with increased initial pressure drop

### Elements Available:

25-127-xxx

#### Disposable Borosilicate Glass Microfiber Filter Element

25-178-70C – Standard Coalescing Filter Element **\*\*Included\*\***

SS-25-127-xxT

#### Stainless Steel Filter Element

Comes Standard with Teflon Seals "T", Add "V" for optional Viton Seals when Ordering  
Micron Sizes: 005, 01, 03, 10, 25, 50, 100 and 200

25-127-xxxX1

#### Reinforced Borosilicate Glass Microfiber Filter Element

With Exterior Stainless Steel Cage

PT-25-127-xx

#### PTFE Filter Element

Micron Sizes: 03 and 25

PEL-25-127-xx

#### PEL (Polyethylene) Filter Element

Micron Sizes: 10, 25, and 75

Replace "xxx" with grade or micron needed. See [Filter Element Guide](#) for more information.

### Available O-Rings:

BN360

**Buna-N (-40°F to 250°F) **\*\*Standard - Included\*\*****

GV360

Viton (-15°F to 400°F)

KZ360

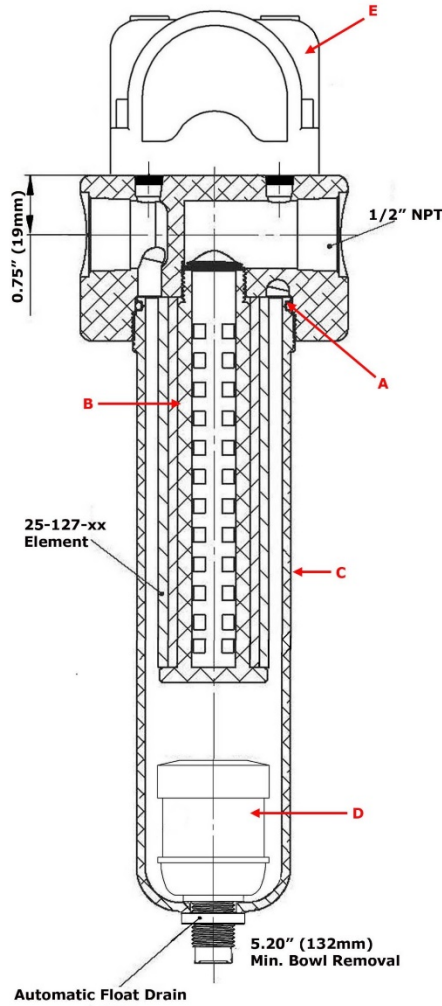
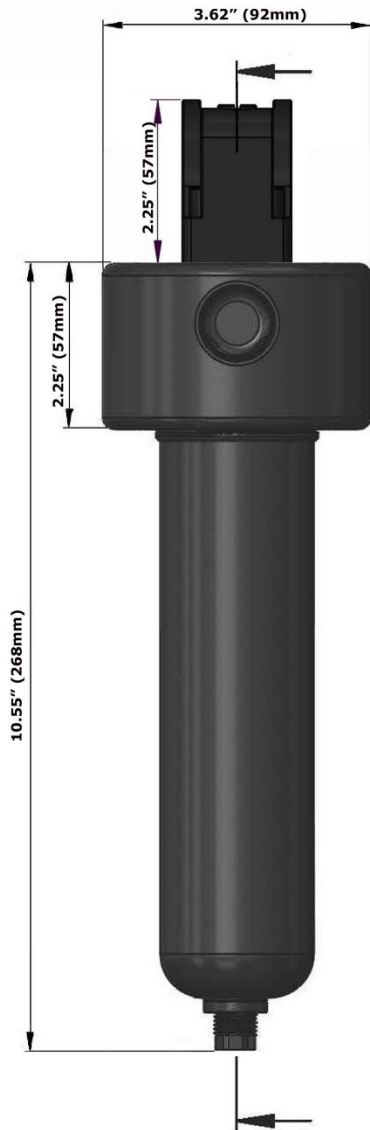
Perfluoroelastomer (5°F to 600°F)

GS360

Silicone (-65°F to 400°F)

GE360

EPDM (-65°F to 300°F)



The Visual Differential Indicator is designated as "VDI" and is designed as a colored gauge with set points from 0 to 5 PSIG in the green range, 6 to 9 in the yellow range, and 10 to 14 PSIG in the red range.

### Replacement Parts:

BN360	Buna-N (-40°F to 250°F) (A) <b>**Standard - Included**</b>
TR370	Nylon Element Retainer (B)
AB370	Anodized Aluminum Bowl (C)
FD300	Nylon Automatic Float Drain (D)
300VDI	Glass Filled Nylon Visual Differential Indicator (E)

### Accessories:

MB380-3277-VDI	Stainless Steel Mounting Bracket (M10 x 25 Full Thread on 2.50" Center @ 90° to Port)
----------------	------------------------------------------------------------------------------------------