



## Technical Data

- Anodized Aluminum / Polycarbonate Bowl Construction
- 1/2" NPT / Manual Twist Drain
- 150 PSIG Maximum Pressure
- Internal Volume (with Tie Rod / No Element): 290cc
- Buna-N O-Ring (Standard-Included)
- Total Weight: 1.5 lbs. (Standard Disposable Element Included)
- Flow Rate @ 100 PSIG: 139 SCFM (Maximum Recommended Flow Rate for Optimal Efficiency)
  - Based on 25-178-70C Standard Coalescing Grade Element, 95% Efficient at 0.01 Micron
  - Higher flow rates are supported with increased initial pressure drop

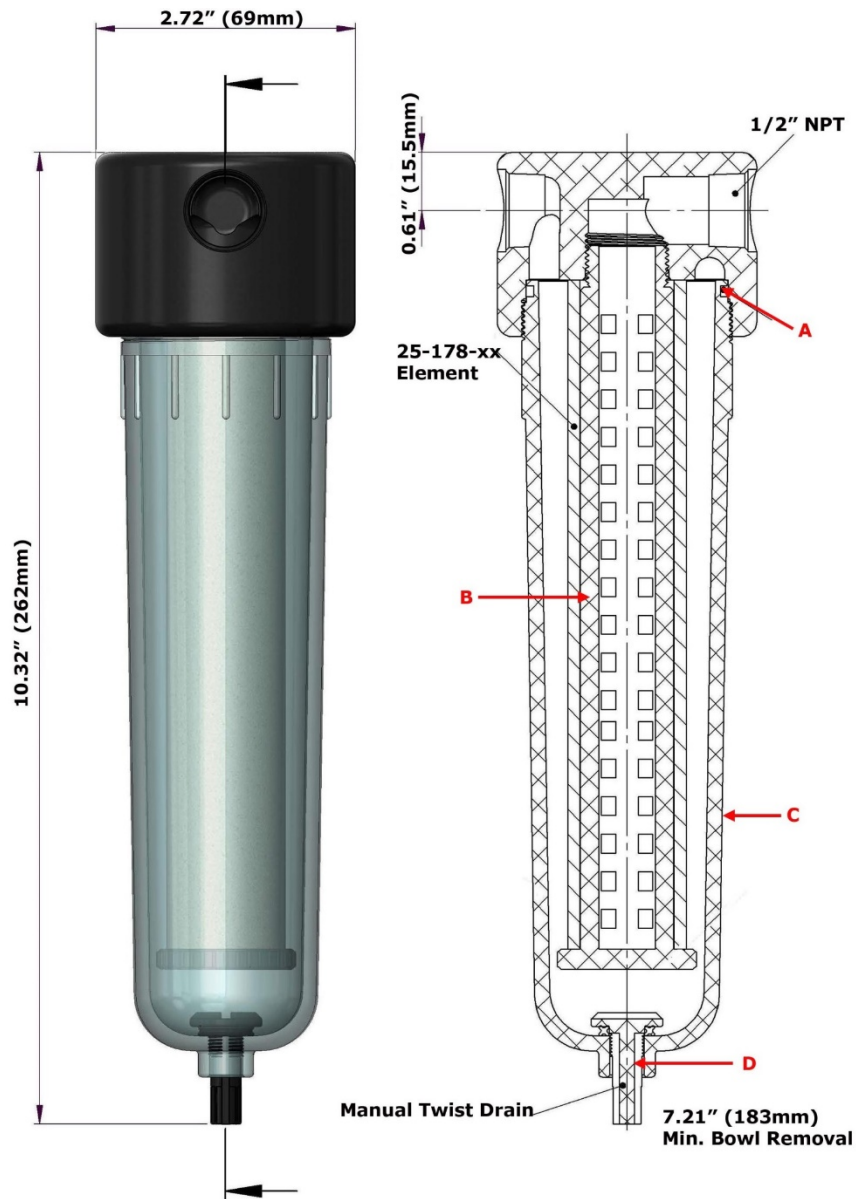
### Elements Available:

25-178-xxx	<b>Disposable Borosilicate Glass Microfiber Filter Element</b> 25-178-70C – Standard Coalescing Filter Element <b>**Included**</b>
SS-25-178-xxT	<b>Stainless Steel Filter Element</b> Comes Standard with Teflon Seals "T", Add "V" for optional Viton Seals when Ordering Micron Sizes: 005, 01, 03, 10, 25, 50, 100 and 200
25-178-xxxX1	<b>Reinforced Borosilicate Glass Microfiber Filter Element</b> With Exterior Stainless Steel Cage
TRE25-178-xxPLMG	<b>Pleated Micro Glass Filter Element</b> Micron Sizes: 03, 10 and 25
PT-25-178-xx	<b>PTFE Filter Element</b> Micron Sizes: 03 and 25
PEL-25-178-xx	<b>PEL (Polyethylene) Filter Element</b> Micron Sizes: 10, 25, and 75
TRE25-178-xx	<b>Adsorption Cartridge</b> Adsorbents: CC, 4A, 13X, SG, DR, MB, PP, HO, SB, and CS

Replace "xxx" with grade, micron, or adsorbent needed. See [Filter Element Guide](#) for more information.

### Available O-Rings:

<b>BN360</b>	<b>Buna-N (-40°F to 250°F) <b>**Standard - Included**</b></b>
GV360	Viton (-15°F to 400°F)
KZ360	Perfluoroelastomer (5°F to 600°F)
GS360	Silicone (-65°F to 400°F)
GE360	EPDM (-65°F to 300°F)



### Replacement Parts:

BN360	Buna-N (-40°F to 250°F) (A) <b>**Standard - Included**</b>
TR370	Nylon Element Retainer (B)
PB370	Polycarbonate Bowl (C)
DV360	Nylon Manual Twist Drain (D)

### Accessories:

MBSS360	Stainless Steel Mounting Bracket (M6 x 19 Full Thread on 1.50" Center @ 90° to Port)
---------	---