



Model 325ALHP-SAE

Technical Data

- Anodized Aluminum Construction
- SAE 6 / SAE 6 NPT Drain
- 3600 PSIG Maximum Pressure
- Internal Volume (with Tie Rod and Element): 45cc
- Buna-N O-Ring (Standard-Included)
- Total Weight: 1 lb. (Standard Disposable Element Included)
- Flow Rate @ 100 PSIG: 27 SCFM (Maximum Recommended Flow Rate for Optimal Efficiency)
 - Based on 12-57-70C Standard Coalescing Grade Element, 95% Efficient at 0.01 Micron
 - Higher flow rates are supported with increased initial pressure drop

Elements Available:

PEL-12-57-01NGV

PEL (Polyethylene) Filter Element

Micron Size: 01 ****Included****

NGV-325ALHP

Replacement Element Kit

Each Kit Includes: PEL-12-57-01NGV Element, Buna-N O-Ring, and Super Lube Pack (1cc)

Available O-Rings:

BN325ALHP

Buna-N (-40°F to 250°F) ****Standard - Included****

GV325ALHP

Viton (-15°F to 400°F)

KZ325ALHP

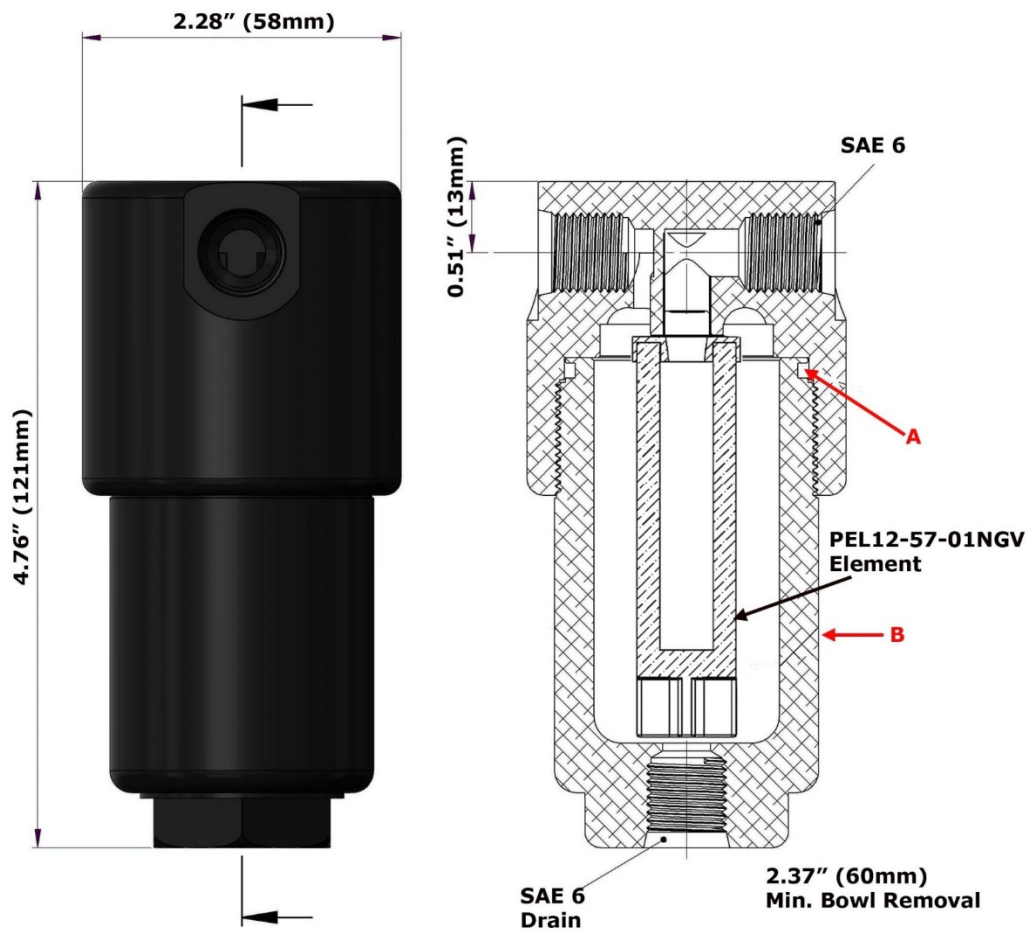
Perfluoroelastomer (5°F to 600°F)

GS325ALHP

Silicone (-65°F to 400°F)

GE325ALHP

EPDM (-65°F to 300°F)



Replacement Parts:

BN325ALHP	Buna-N (-40°F to 250°F) (A) **Standard - Included**
CPS315	Nylon Element Stack (B)
AB325ALHP	Anodized Aluminum Bowl (C)

Accessories:

MBSS360	Stainless Steel Mounting Bracket (M6 x 15 Full Thread on 1.50" Center @ 90° to Port)
---------	-----------------------------------------------------------------------------------------

