



## Technical Data

- Anodized Aluminum / Polycarbonate Bowl Construction
- 1/8" NPT / No Drain
- 150 PSIG Maximum Pressure
- Internal Volume (with Tie Rod / No Element): 53CC
- Buna-N O-Ring (Standard-Included)
- Total Weight: 1 lb. (Standard Disposable Element Included)
- Flow Rate @ 100 PSIG: 27 SCFM (Maximum Recommended Flow Rate for Optimal Efficiency)
  - Based on 12-57-70C Standard Coalescing Grade Element, 95% Efficient at 0.01 Micron
  - Higher flow rates are supported with increased initial pressure drop

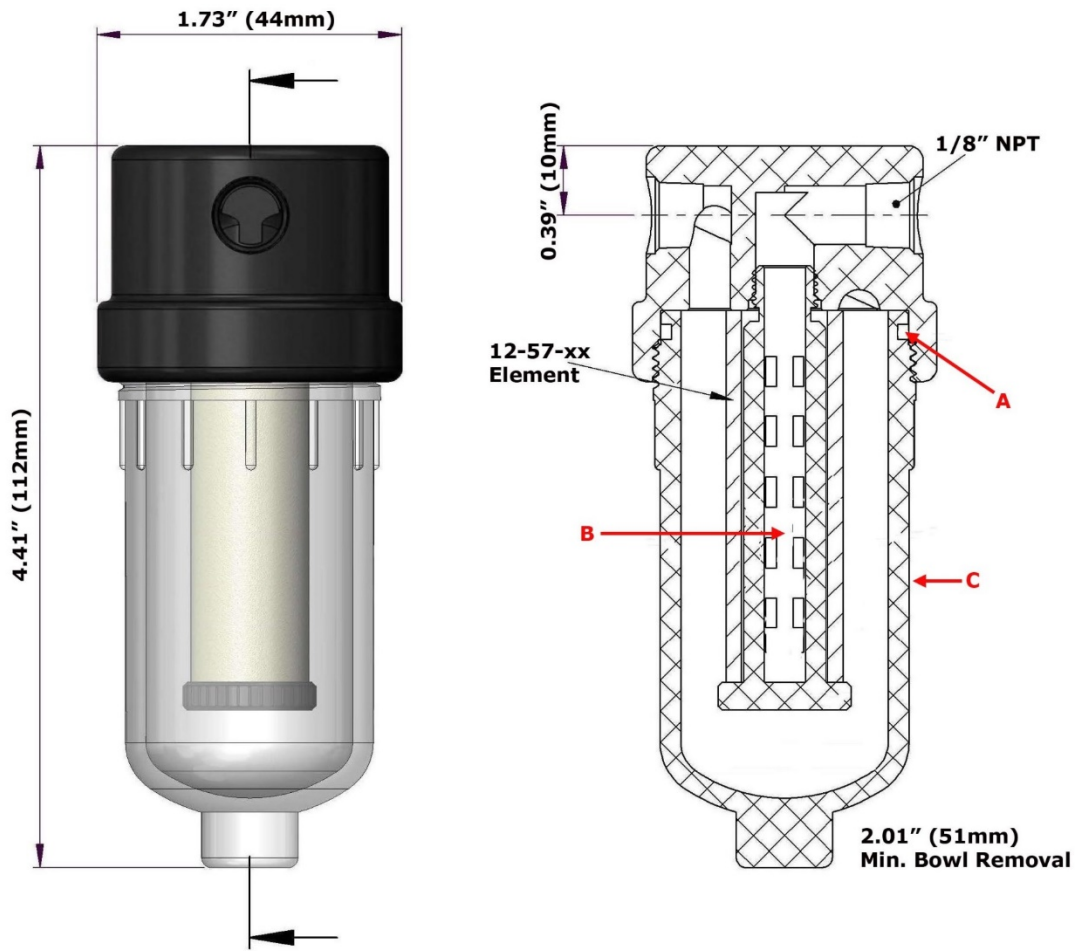
### Elements Available:

12-57- <b>xxx</b>	<b>Disposable Borosilicate Glass Microfiber Filter Element</b> 12-57-70C – Standard Coalescing Filter Element <b>**Included**</b>
SS-12-57- <b>xxT</b>	<b>Stainless Steel Filter Element</b> Comes Standard with Teflon Seals "T", Add "V" for optional Viton Seals when Ordering Micron Sizes: 005, 01, 03, 10, 25, 50, 100 and 200
12-48- <b>10</b> PLCL	<b>Pleated Cellulose Filter Element</b> Micron Size: 10
PT-12-57- <b>xx</b>	<b>PTFE Filter Element</b> Micron Sizes: 03 and 25
PEL-12-57- <b>xx</b>	<b>PEL (Polyethylene) Filter Element</b> Micron Sizes: 10, 25, and 75
TRE12-57- <b>xx</b>	<b>Adsorption Cartridge</b> Adsorbents: CC, 4A, 13X, SG, DR, MB, PP, HO, SB, and CS

Replace "**xxx**" with grade, micron, or adsorbent needed. See [Filter Element Guide](#) for more information.

### Available O-Rings:

<b>BN315</b>	<b>Buna-N (-40°F to 250°F) <b>**Standard - Included**</b></b>
GV315	Viton (-15°F to 400°F)
KZ315	Perfluoroelastomer (5°F to 600°F)
GS315	Silicone (-65°F to 400°F)
GE315	EPDM (-65°F to 300°F)



**Replacement Parts:**

BN315	Buna-N (-40°F to 250°F) (A) <b>**Standard - Included**</b>
TR315	Nylon Element Retainer (B)
PB305L	Polycarbonate Bowl (C)

**Accessories:**

MBSS315	Stainless Steel Mounting Bracket (M5 x 10 Full Thread on 1.00" Center @ 90° to Port)
---------	---

