



# Liquid Propane Gas Filters

## PRODUCT FEATURES / BENEFITS

- ◆ Rugged, 100% Machined Anodized Aluminum Construction
- ◆ Standard Buna-N O-Ring (-40°F)
- ◆ Up to 1200 PSIG Maximum Rating / Up To 2" Connections
- ◆ Protect Pressure Regulators, Valves, and Vaporizers
- ◆ Capture Debris Carried During Filling or Transport
- ◆ Protect Liquid Injection Systems
- ◆ Remove Infrastructure Contaminants
- ◆ Remove Oil and Solid Particles from Liquid Propane

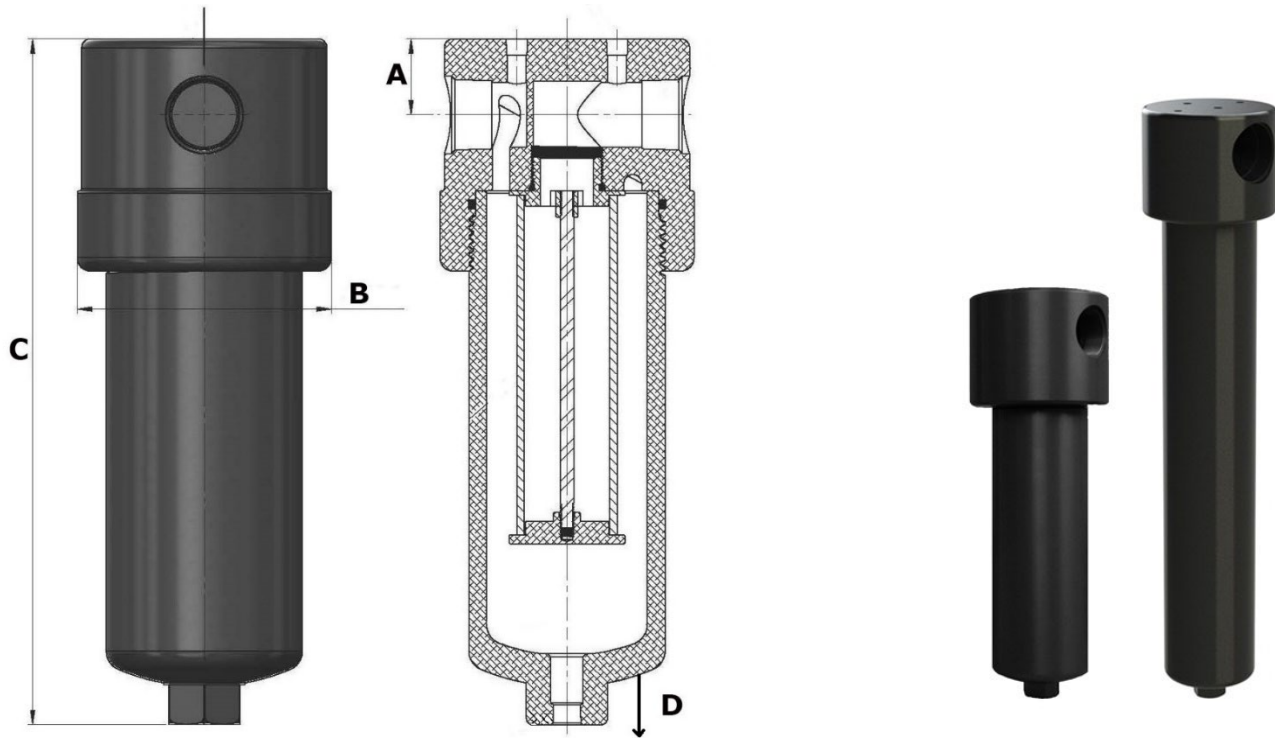
Our machined aluminum filter housings – engineered with stainless steel and aluminum internal components deliver a durable, dependable solution for LPG Service. These assemblies safeguard regulators, valves, and nozzles by capturing tank and line debris, ensuring clean flow and extended component life. Each housing incorporates a single O-ring captured in the head to provide a secure, protected seal. All units have a 1/8" NPT or 1/4" FNPT drain port, which should be installed vertically at the lowest point for proper drainage. Upon request, these housings are available without a drain port.



For general service, we offer a 25-micron, five-layer stainless steel element with a 95% efficiency rating. For higher precision requirements, a 3-micron stainless steel element is available. When liquid removal is required, a coalescing microfiber element is recommended for optimal performance.

Housing Model	LP360A	LP365A	LP370A	LP375A
Port Size (NPT)	1/4"	1/2"	1/4"	1/2"
Drain Type (NPT)	1/8"	1/8"	1/8"	1/8"
Maximum Pressure (psig)	500	500	500	500
Internal Volume (cc)	163	163	310	310
Weight of Housing (lbs)	1.5	1.5	1.5	1.5
Principle Dimensions: (inches)				
Center Of Port To Head (A)	0.61	0.61	0.61	0.61
Head Diameter (B)	2.72	2.72	2.72	2.72
Overall Length (C)	6.26	6.26	10.32	10.32
Element Removal Clearance (D)	3.07	3.07	7.21	7.21
Maximum Temp. (-40°F to 250°F)				
Standard Buna-N O-Ring	BN360	BN360	BN360	BN360
<b>Other Elastomers Available Upon Request</b>				
Filter Element Codes:				
<b>Stainless Steel Element with Snap-On Teflon Seals (Standard-Sold Separate) (1)</b>	<b>SS-25-64-25T</b>	<b>SS-25-64-25T</b>	<b>SS-25-178-25T</b>	<b>SS-25-178-25T</b>
For Critical Applications – Stainless Steel Element with Snap-On Teflon Seals	SS-25-64-03T	SS-25-64-03T	SS-25-178-03T	SS-25-178-03T
Coalescing Element - If Liquids are Present	25-64-70CS	25-64-70CS	25-178-70CS	25-178-70CS
Flow Rate @ 100 PSIG Air (SCFM)	44	44	129	129
Maximum Recommended Liquid (Water) Flow Rate With 3 Micron Stainless Steel Element (GPM)	4	4	7	7

Notes: (1) Our Stainless Steel Elements come complete with Snap-On Teflon Seals – Elements are Sold Separately



Housing Model	LP380AHP	LP383AHP	LP385AHP	LP390AHP
Port Size (NPT)	3/4"	1"	1 1/2" or 2"	2"
Drain Type (NPT)	1/4"	1/4"	1/4"	1/4"
Maximum Pressure (psig)	1,200	1,200	1000	1000
Internal Volume (cc)	760	760	1500	2950
Weight of Housing (lbs)	8	8	11	14
Principle Dimensions: (inches)				
Center Of Port To Head (A)	1.34	1.34	1.58	1.58
Head Diameter (B)	4.33	4.33	5.51	5.51
Overall Length (C)	12.09	12.09	15.67	25.39
Element Removal Clearance (D)	6.19	6.19	9.30	18.98
Maximum Temp. (-40°F to 250°F) Standard Buna-N O-Ring <b>Other Elastomers Available Upon Request</b>	BN380	BN380	BN385	BN385
Filter Element Codes: <b>Stainless Steel Element with Snap-On Teflon Seals (Standard-Sold Separate) (1)</b>	<b>SS-38-152-25T</b>	<b>SS-38-152-25T</b>	<b>SS-51-230-25T</b>	<b>SS-51-476-25T</b>
For Critical Applications - Stainless Steel Element with Snap-On Teflon Seals	SS-38-152-03T	SS-38-152-03T	SS-51-230-03T	SS-51-476-03T
Coalescing Element - If Liquids are Present	38-152-70CS-DOE	38-152-70CS-DOE	51-230-70CS	51-476-70CS
Flow Rate @ 100 PSIG Air (SCFM)	361	361	630	990
Maximum Recommended Liquid (Water) Flow Rate With 3 Micron Stainless Steel Element (GPM)	10	10	19	40

Notes: (1) Our Stainless Steel Elements come complete with Snap-On Teflon Seals - Elements are Sold Separately



## Do you have a custom liquid petroleum filter requirement?

We have the ability and desire to provide a perfect filter solution for your specific application. There are many housing and filter options available to build your optimal filter. Please feel free to contact us at 1-800-311-5561 to discuss your request.

NGV.14.A