



Model 180VP Series

Technical Data

- 316L Stainless Steel Construction
- **Two Standard Versions:**
 - 180VP - 1" NPT Inlet & Outlet / 1/4" Drain (Shown)
 - 180VP - SAE 8 Inlet & Outlet / SAE 6 Drain
 - Custom Porting Available Upon Request
- 5800 PSIG Maximum Pressure
- Internal Volume (No Tie Rod / No Element): 750cc
- Viton O-Ring (Standard-Included)
- Total Weight: 40 lbs.
- Flow Rate @ 100 PSIG: 398 SCFM (Maximum Recommended Flow Rate for Optimal Efficiency)
 - Based on 38-172-70CS Standard Coalescing Grade Element, 95% Efficient at 0.01 Micron
 - Higher flow rates are supported with increased initial pressure drop

Elements Available:

SL-180-38-172-**xxx**X3

Borosilicate Glass Microfiber Filter Element

With Interior & Exterior Stainless Steel Cages

SL-180-38-172-SS**xx**

Stainless Steel Filter Element

Comes Standard with Teflon Seals "T", Add "V" for optional Viton Seals when Ordering
Micron Sizes: 005, 01, 03, 10, 25, 50, 100 and 200

SL-180-38-172-**xxx**X3-200

Reinforced Borosilicate Glass Microfiber Filter Element

With Exterior 200 Micron Stainless Steel Element

SL-180-38-172-**xx**PLMG

Pleated Micro Glass Filter Element

Micron Sizes: 03, 10 and 25

Replace "**xxx**" with grade or micron needed. See [Filter Element Guide](#) for more information.

Available O-Rings:

BN180VP

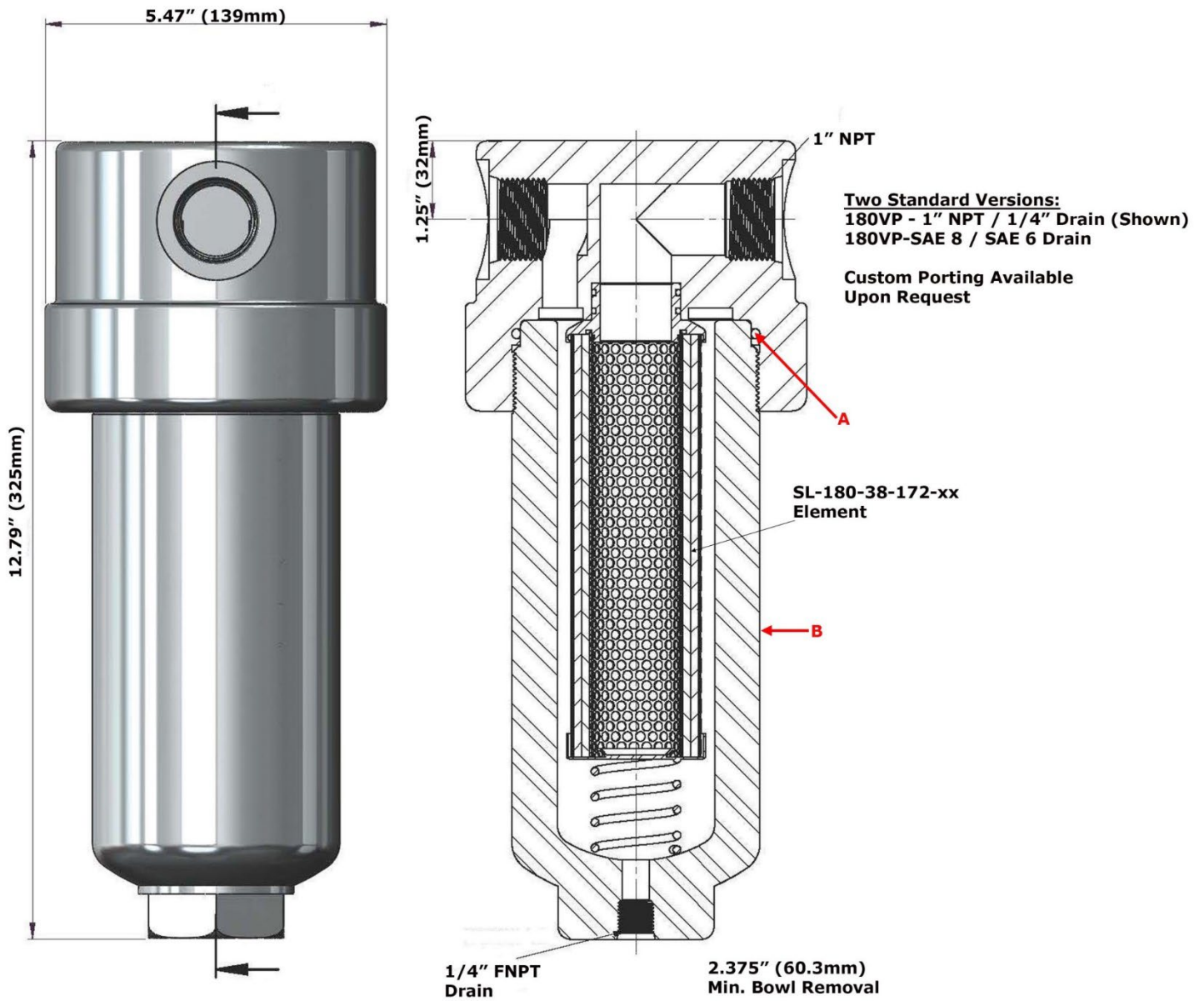
Buna-N (-40°F to 250°F) **Standard - Included******

GV180VP

Viton (-15°F to 400°F)

KZ180VP

Perfluoroelastomer (5°F to 600°F)



Replacement Parts:

BN180VP

Buna-N (-40°F to 250°F) ****Standard - Included**** (A)

SSB180VP

Stainless Steel Bowl (B)

Accessories:

MBSS150

Stainless Steel Mounting Bracket
(M10-1.5 x 15 Full Thread on 2.50" Center @ 90° to Port)