



Model 170LB

Technical Data

- 316L Stainless Steel Construction
- 1/4" NPT / 1/4" NPT Drain
- 1500 PSIG Maximum Pressure
- Internal Volume (with Tie Rod / No Element): 65CC
- Viton O-Ring (Standard-Included)
- Total Weight: 2.5 lbs.
- Flow Rate @ 100 PSIG: 40 SCFM (Maximum Recommended Flow Rate for Optimal Efficiency)
 - Based on 22-64-70C Standard Coalescing Grade Element, 95% Efficient at 0.01 Micron
 - Higher flow rates are supported with increased initial pressure drop

Elements Available:

22-64-**XXX**

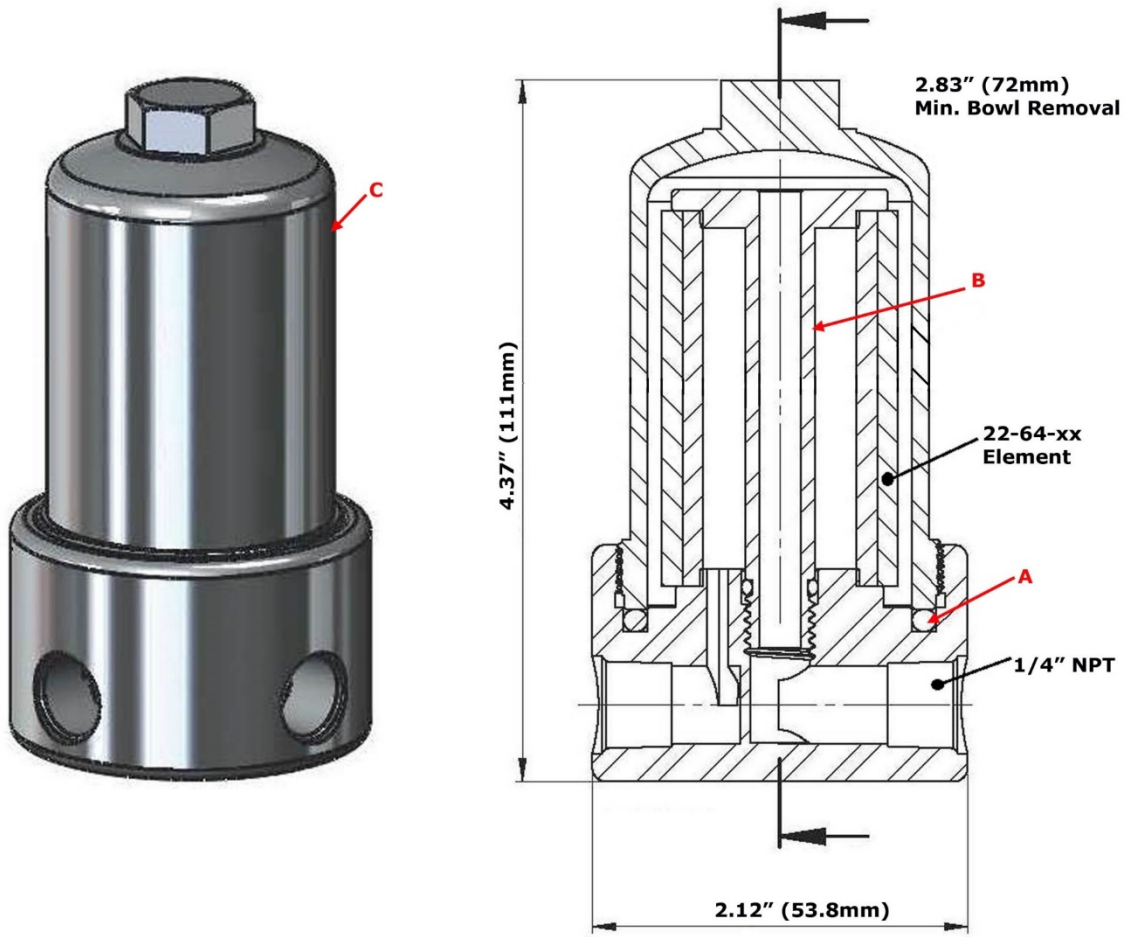
Disposable Borosilicate Glass Microfiber Filter Element

22-64-50CS – Standard Recommended Coalescing Filter Element

Replace “**xxx**” with grade needed. See [Filter Element Guide](#) for more information.

Available O-Rings:

GV170	Viton (-15°F to 400°F) **Standard - Included**
BN170	Buna-N (-40°F to 250°F)
KZ170	Perfluoroelastomer (5°F to 600°F)
GS170	Silicone (-65°F to 400°F)
GE170	EPDM (-65°F to 300°F)



Replacement Parts:

GV170	Viton (-15°F to 400°F) (A) **Standard - Included**
TR170LB	Stainless Steel Tie Rod w/ Element Retainer (B)
SSB170LB	Stainless Steel Bowl (C)

Accessories:

SC170LB	Stainless Steel Support Core
MBSS170	Stainless Steel Mounting Bracket (M6 x 10 Full Thread on 1.50" Center @ 45° to Port)