



Technical Data

- 316L Stainless Steel Construction
- 2" NPT / 1/4" NPT Drain
- 6000 PSIG Maximum Pressure
- Internal Volume (with Tie Rod / No Element): 2500cc
- Viton O-Ring (Standard-Included)
- Total Weight: 98 lbs.
- Flow Rate @ 100 PSIG: 990 SCFM (Maximum Recommended Flow Rate for Optimal Efficiency)
 - Based on 51-476-70CS Standard Coalescing Grade Element, 95% Efficient at 0.01 Micron
 - Higher flow rates are supported with increased initial pressure drop

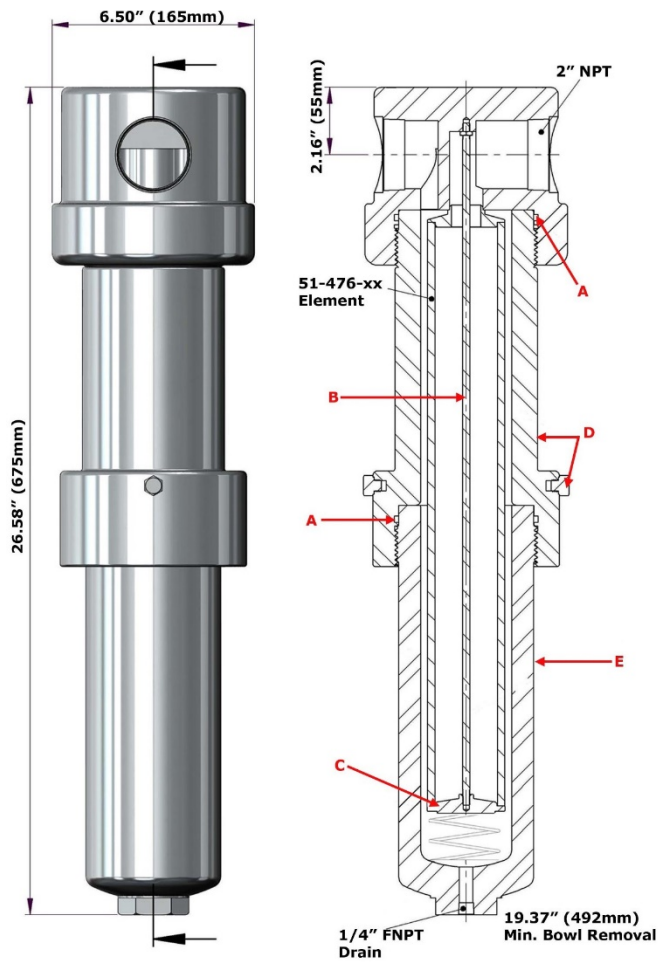
Elements Available:

51-476- xxx	Disposable Borosilicate Glass Microfiber Filter Element 51-476-70CS – Standard Recommended Coalescing Filter Element
SS-51-476- xxT	Stainless Steel Filter Element Comes Standard with Teflon Seals "T", Add "V" for optional Viton Seals when Ordering Micron Sizes: 005, 01, 03, 10, 25, 50, 100 and 200
51-476- xxxX1	Reinforced Borosilicate Glass Microfiber Filter Element With Exterior Stainless Steel Cage
51-476- xxxX3	Reinforced Borosilicate Glass Microfiber Filter Element With Interior & Exterior Stainless Steel Cages
51-476- xxPLMG	Pleated Micro Glass Filter Element Micron Sizes: 03, 10 and 25
51-476- xxPLSS	Pleated Stainless Steel Filter Element Micron Sizes: 05, 10, 25, 50, 100

Replace "**xxx**" with grade or micron needed. See [Filter Element Guide](#) for more information.

Available O-Rings:

GV160VP/2	Viton (-15°F to 400°F) **Standard - Included**
BN160VP/2	Buna-N (-40°F to 250°F)
KZ160VP/2	Perfluoroelastomer (5°F to 600°F)
GS160VP/2	Silicone (-65°F to 400°F)
GE160VP/2	EPDM (-65°F to 300°F)



Replacement Parts:

GV160VP/2	Viton (-15°F to 400°F) (A) **Standard - Included**
TR160VP	Stainless Steel Tie Rod (B)
ER150SL	Stainless Steel Spring Loaded Element Retainer (C)
EX160VP	Stainless Steel Extender Bowl (Includes 2 Bolts) (D)
SSB160VP	Stainless Steel Bowl (E)

Accessories:

SC160	Stainless Steel Support Core
-------	------------------------------