



Technical Data

- 316L Stainless Steel Construction
- 1 1/2" NPT / 1/4" NPT Drain
- 1500 PSIG Maximum Pressure
- Internal Volume (with Tie Rod / No Element): 2400cc
- Viton O-Ring (Standard-Included)
- Total Weight: 38 lbs.
- Flow Rate @ 100 PSIG: 990 SCFM (Maximum Recommended Flow Rate for Optimal Efficiency)
 - Based on 51-476-70CS Standard Coalescing Grade Element, 95% Efficient at 0.01 Micron
 - Higher flow rates are supported with increased initial pressure drop

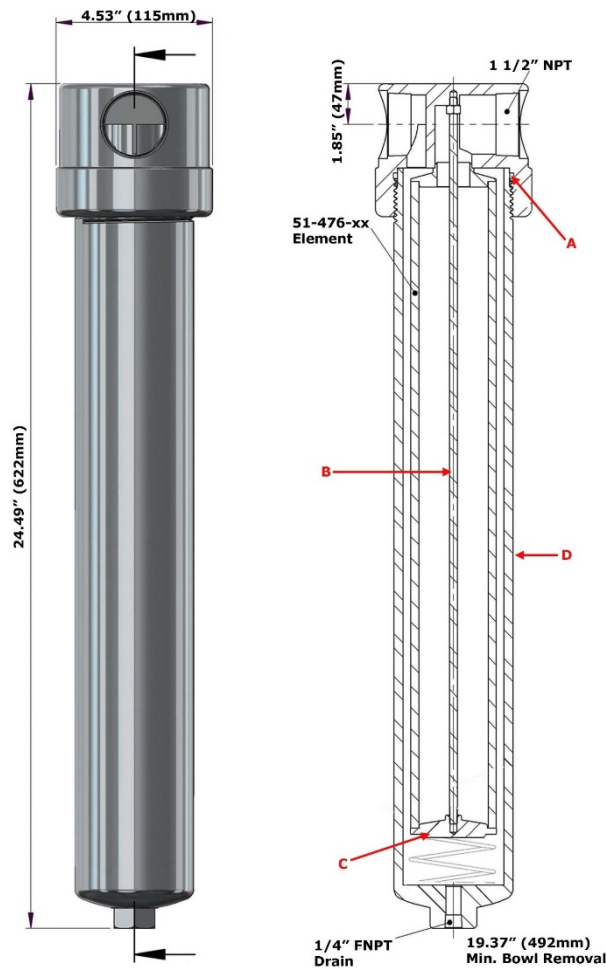
Elements Available:

| | |
|-----------------------|---|
| 51-476- xxx | Disposable Borosilicate Glass Microfiber Filter Element 51-476-70CS – Standard Recommended Coalescing Filter Element |
| SS-51-476- xxT | Stainless Steel Filter Element Comes Standard with Teflon Seals "T", Add "V" for optional Viton Seals when Ordering Micron Sizes: 005, 01, 03, 10, 25, 50, 100 and 200 |
| 51-476- xxxX1 | Reinforced Borosilicate Glass Microfiber Filter Element With Exterior Stainless Steel Cage |
| 51-476- xxxX3 | Reinforced Borosilicate Glass Microfiber Filter Element With Interior & Exterior Stainless Steel Cages |
| 51-476- xxPLMG | Pleated Micro Glass Filter Element Micron Sizes: 03, 10 and 25 |
| 51-476- xxPLSS | Pleated Stainless Steel Filter Element Micron Sizes: 05, 10, 25, 50, 100 |
| 51-476- xx-TS | Adsorption Cartridge Adsorbents: CC, 4A, 13X, SG, DR, MB, PP, HO, SB, and CS |

Replace "**xxx**" with grade, micron, or adsorbent needed. See [Filter Element Guide](#) for more information.

Available O-Rings:

| | |
|--------------|--|
| GV150 | Viton (-15°F to 400°F) **Standard - Included** |
| BN150 | Buna-N (-40°F to 250°F) |
| KZ150 | Perfluoroelastomer (5°F to 600°F) |
| GS150 | Silicone (-65°F to 400°F) |
| GE150 | EPDM (-65°F to 300°F) |



Replacement Parts:

| | |
|---------|---|
| GV150 | Viton (-15°F to 400°F) (A) **Standard - Included** |
| TR160 | Stainless Steel Tie Rod (B) |
| ER150SL | Stainless Steel Spring Loaded Element Retainer (C) |
| SSB160 | Stainless Steel Bowl (D) |

Accessories:

| | |
|---------|--|
| SC160 | Stainless Steel Support Core |
| MBSS150 | Stainless Steel Mounting Bracket (M10-1.5 x 15 Full Thread on 2.50" Center @ 90° to Port) |

Part Number of Exotic Housing Materials:

| | |
|------------------|---|
| Monel A400: | Model 161M (Drawing) |
| Hastelloy C-276: | Model 161HC (Drawing) |
| Inconel A625: | Model 161-INC (Drawing) |