



Model 150SCK

Technical Data

- 316L Stainless Steel Construction
- 1" NPT / 1/4" NPT Drain
- 1500 PSIG Maximum Pressure
- Internal Volume (with Tie Rod / No Element): 1350cc
- Viton O-Ring (Standard-Included)
- Total Weight: 22 lbs.
- Flow Rate @ 100 PSIG: 340 lbs/hr.
 - Based on 51-213-70ZZ Standard Coalescing Grade Element

Elements Available:

51-213-70ZZ

Disposable Borosilicate Glass Microfiber Filter Element

51-213-70ZZ – Standard Steam Coalescing Filter Element

SS-51-213-xxT

Stainless Steel Filter Element

Comes Standard with Teflon Seals "T", Add "V" for optional Viton Seals when Ordering
Micron Sizes: 005, 01, 03, 10, 25, 50, 100 and 200

51-213-70ZZX3

Reinforced Borosilicate Glass Microfiber Filter Element

With Interior & Exterior Stainless Steel Cages

Replace "xx" with micron needed. See [Filter Element Guide](#) for more information.

Available O-Rings:

GV150

Viton (-15°F to 400°F) **Standard - Included******

BN150

Buna-N (-40°F to 250°F)

KZ150

Perfluoroelastomer (5°F to 600°F)

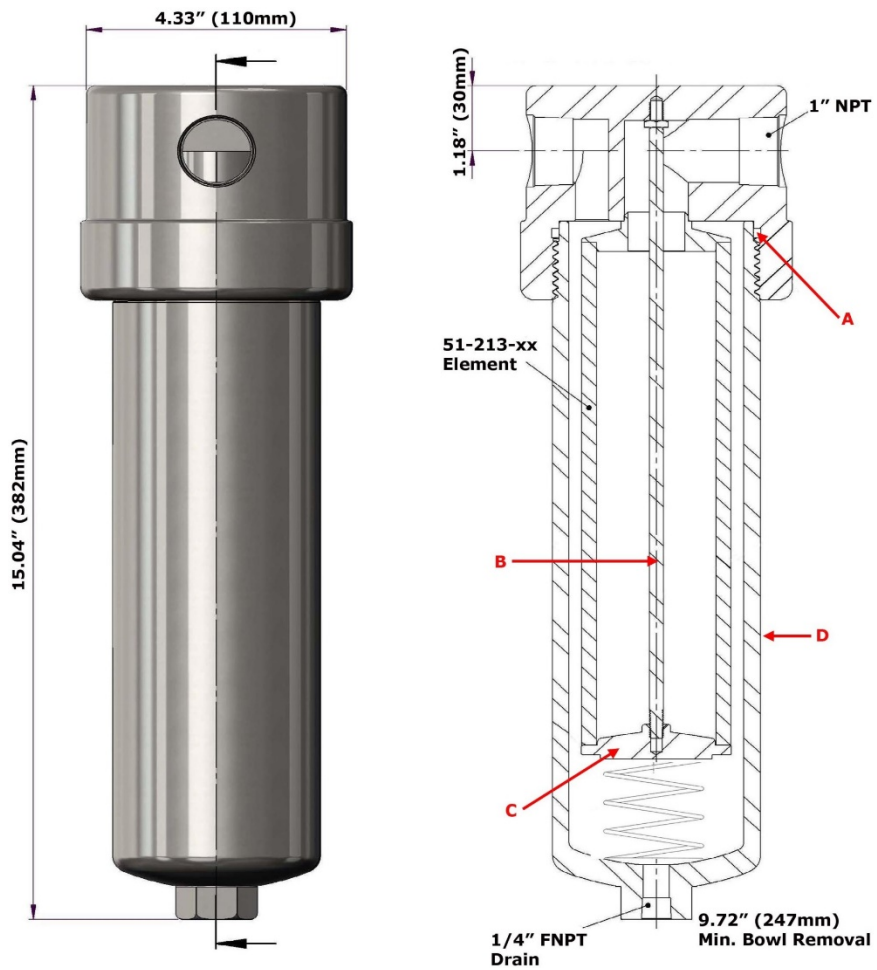
GS150

Silicone (-65°F to 400°F)

GE150

EPDM (-65°F to 300°F)

The 150SCK internals are modified to accept our 51-213-70ZZ Steam Coalescing Element.



Replacement Parts:

GV150	Viton (-15°F to 400°F) (A) **Standard - Included**
TR150SCK	Stainless Steel Tie Rod (B)
ER150SL	Stainless Steel Spring Loaded Element Retainer (C)
SSB150	Stainless Steel Bowl (D)

Accessories:

SC150	Stainless Steel Support Core
MBSS150	Stainless Steel Mounting Bracket (M10-1.5 x 15 Full Thread on 2.50" Center @ 90° to Port)