



Technical Data

- 316L Stainless Steel Construction
- 1/2" NPT / No Drain
- 1500 PSIG Maximum Pressure
- Internal Volume (with Tie Rod / No Element): 260cc
- Viton O-Ring (Standard-Included)
- Total Weight: 3.5 lbs.
- Flow Rate @ 100 PSIG: 129 SCFM (Maximum Recommended Flow Rate for Optimal Efficiency)
 - Based on 25-178-70C Standard Coalescing Grade Element, 95% Efficient at 0.01 Micron
 - Higher flow rates are supported with increased initial pressure drop

Elements Available:

25-178-xxx

Disposable Borosilicate Glass Microfiber Filter Element

25-178-70C – Standard Recommended Coalescing Filter Element

SS-25-178-xxT

Stainless Steel Filter Element

Comes Standard with Teflon Seals "T", Add "V" for optional Viton Seals when Ordering
Micron Sizes: 005, 01, 03, 10, 25, 50, 100 and 200

25-178-xxxX1

Reinforced Borosilicate Glass Microfiber Filter Element

With Exterior Stainless Steel Cage

25-178-xxxX3

Reinforced Borosilicate Glass Microfiber Filter Element

With Interior & Exterior Stainless Steel Cages

PT-25-178-xx

PTFE Filter Element

Micron Sizes: 03 and 25

PEL-25-178-xx

PEL (Polyethylene) Filter Element

Micron Sizes: 10, 25, and 75

25-178-xx-TS

Adsorption Cartridge

Adsorbents: CC, 4A, 13X, SG, DR, MB, PP, HO, SB, and CS

Replace "xxx" with grade, micron, or adsorbent needed. See [Filter Element Guide](#) for more information.

Available O-Rings:

GV130

Viton (-15°F to 400°F) ****Standard - Included****

BN130

Buna-N (-40°F to 250°F)

KZ130

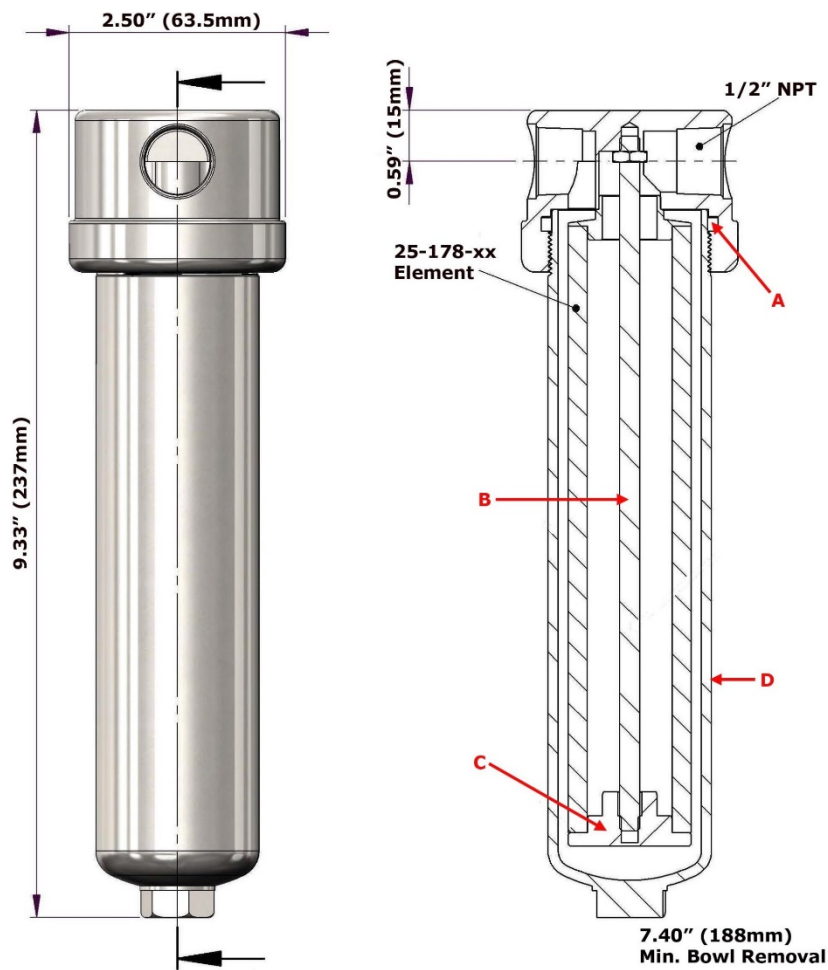
Perfluoroelastomer (5°F to 600°F)

GS130

Silicone (-65°F to 400°F)

GE130

EPDM (-65°F to 300°F)



Replacement Parts:

GV130	Viton (-15°F to 400°F) (A) **Standard - Included**
TR140	Stainless Steel Tie Rod (B)
ER130	Stainless Steel Element Retainer (C)
SSB146	Stainless Steel Bowl (D)

Accessories:

SC140	Stainless Steel Support Core
MBSS130	Stainless Steel Mounting Bracket (M6 x 12 Full Thread on 1.50" Center @ 90° to Port)

Part Number of Exotic Housing Materials:

- Monel A400: [Model 146M \(Drawing\)](#)
- Hastelloy C-276: [Model 146HC \(Drawing\)](#)
- Inconel A625: [Model 146-INC \(Drawing\)](#)