



Model 136PIL-3

Technical Data

- PTFE Construction
- 1/2" NPT / 1/4" NPT Sample Port
- 100 PSIG Maximum Pressure
- Internal Volume (with Element): 80cc
- Viton O-Ring (Standard-Included)
- Total Weight: 4 lbs.
- Flow Rate: See Fast Loop Product Bullentin Page

Elements Available:

SS-25-64-**xx**T

Stainless Steel Filter Element

Comes Standard with Teflon Seals "T"
Micron Sizes: 005, 01, 03, 10, 25, 50, 100 and 200

PT-25-64-**xx**

PTFE Filter Element

Micron Sizes: 03 and 25

PEL-25-64-**xx**

PEL (Polyethylene) Filter Element

Micron Sizes: 10, 25, and 75

Replace "**xx**" with grade or micron needed. See [Filter Element Guide](#) for more information.

Available O-Rings:

GV136IL-3

Viton (-15°F to 400°F) **Standard - Included******

BN136IL-3

Buna-N (-40°F to 250°F)

KZ136IL-3

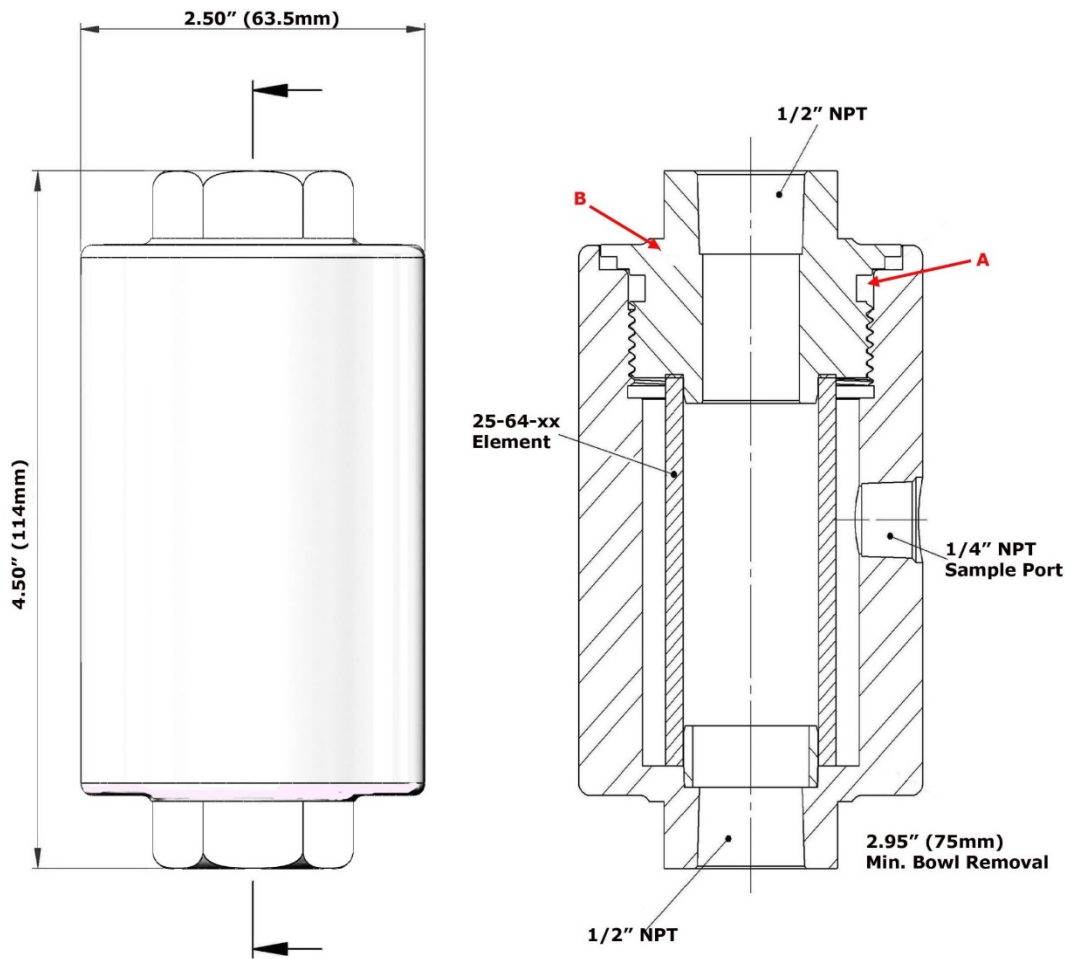
Perfluoroelastomer (5°F to 600°F)

GS136IL-3

Silicone (-65°F to 400°F)

GE136IL-3

EPDM (-65°F to 300°F)



Replacement Parts:

GV136IL-3

Viton (-15°F to 400°F) (A) ****Standard - Included****

EC136PIL-3

PTFE End Cap (B)

