



## Technical Data

- PTFE / Pyrex Glass Bowl Construction
- 1/2" NPT / 1/8" NPT Drain
- 100 PSIG Maximum Pressure
- Internal Volume (with Tie Rod / No Element): 147cc
- Viton O-Ring (Standard-Included)
- Total Weight: 2 lbs.
- Flow Rate @ 100 PSIG: 44 SCFM (Maximum Recommended Flow Rate for Optimal Efficiency)
  - Based on 25-64-70C Standard Coalescing Grade Element, 95% Efficient at 0.01 Micron
  - Higher flow rates are supported with increased initial pressure drop

### Elements Available:

25-64-**xxx**

#### **Disposable Borosilicate Glass Microfiber Filter Element**

25-64-70C – Standard Recommended Coalescing Filter Element

SS-25-64-**xxT**

#### **Stainless Steel Filter Element**

Comes Standard with Teflon Seals "T", Add "V" for optional Viton Seals when Ordering  
Micron Sizes: 005, 01, 03, 10, 25, 50, 100 and 200

PT-25-64-**xx**

#### **PTFE Filter Element**

Micron Sizes: 03 and 25

PEL-25-64-**xx**

#### **PEL (Polyethylene) Filter Element**

Micron Sizes: 10, 25, and 75

Replace "**xxx**" with grade or micron needed. See [Filter Element Guide](#) for more information.

### Available O-Rings:

**GV130PG**

**Viton (-15°F to 400°F) **\*\*Standard - Included\*\*****

BN130PG

Buna-N (-40°F to 250°F)

KZ130PG

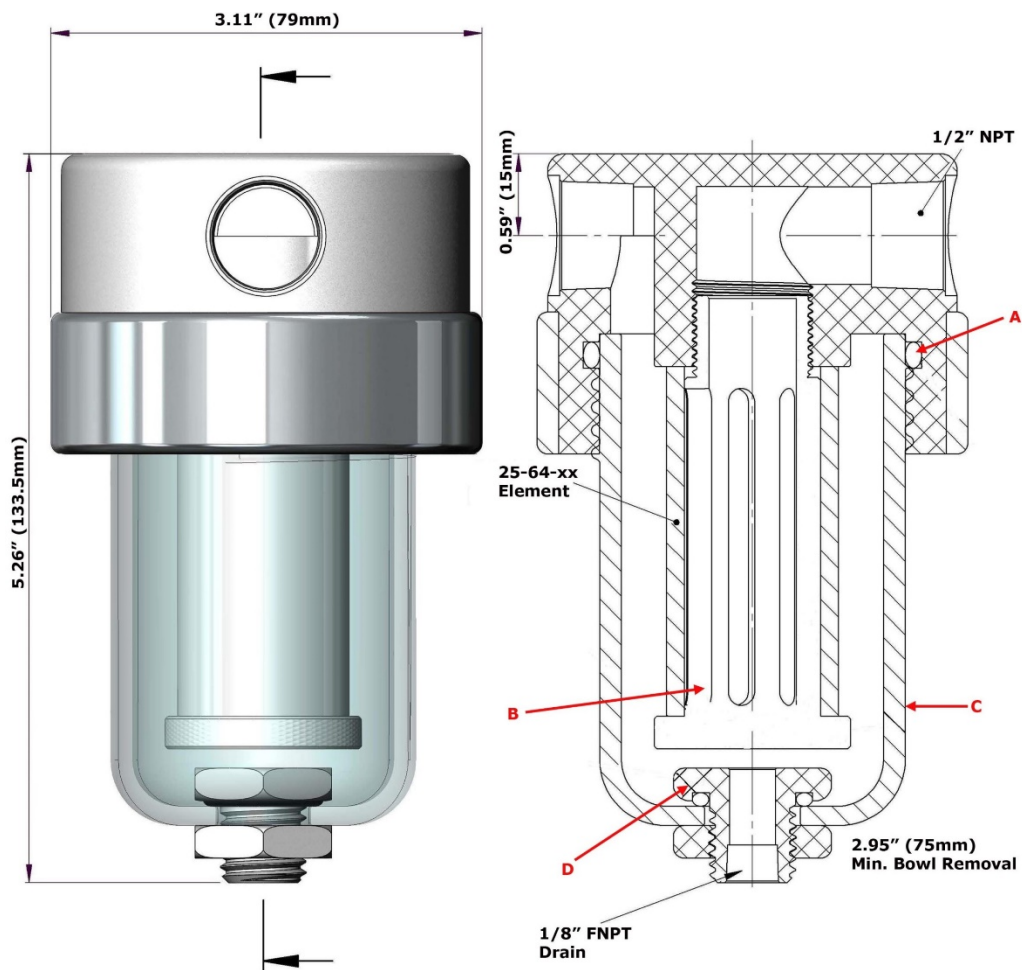
Perfluoroelastomer (5°F to 600°F)

GS130PG

Silicone (-65°F to 400°F)

GE130PG

EPDM (-65°F to 300°F)



### Replacement Parts:

GV130PG	Viton (-15°F to 400°F) (A) <b>**Standard - Included**</b>
TR130P	PTFE Tie Rod w/ Element Retainer (B)
GB130PG	Pyrex Glass Bowl (C)
BHF130PG	PTFE Bulk Head Fitting (D)

### Accessories:

MBSS130	Stainless Steel Mounting Bracket (M6 x 12 Full Thread on 1.50" Center @ 90° to Port)
---------	---