



# Model 132HP

## Technical Data

- 316L Stainless Steel Construction
- 1/2" NPT / 1/4" NPT Drain
- 3000 PSIG Maximum Pressure
- Internal Volume (with Tie Rod / No Element): 110cc
- Viton O-Ring (Standard-Included)
- Total Weight: 4.5 lbs.
- Flow Rate @ 100 PSIG: 44 SCFM (Maximum Recommended Flow Rate for Optimal Efficiency)
  - Based on 25-64-70C Standard Coalescing Grade Element, 95% Efficient at 0.01 Micron
  - Higher flow rates are supported with increased initial pressure drop

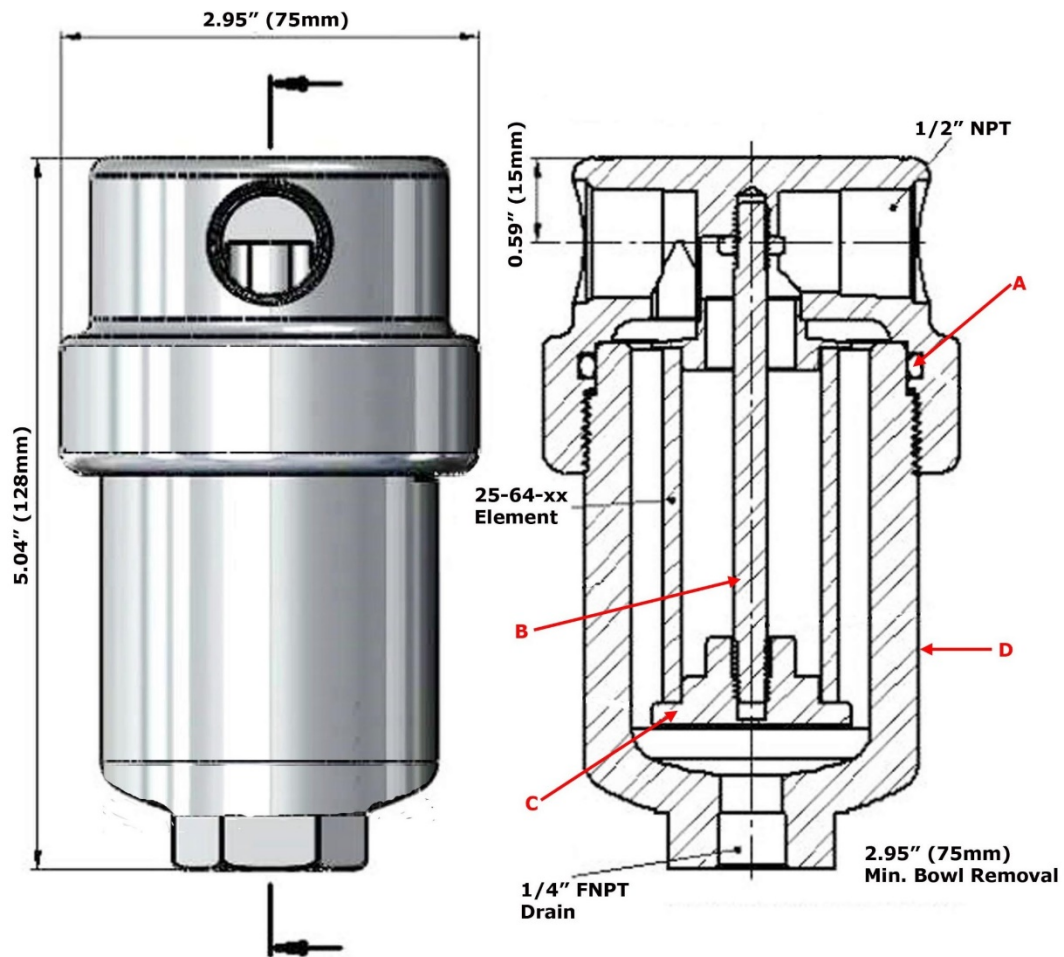
### Elements Available:

25-64- <b>xxx</b>	<b>Disposable Borosilicate Glass Microfiber Filter Element</b> 25-64-70C – Standard Recommended Coalescing Filter Element
SS-25-64- <b>xxT</b>	<b>Stainless Steel Filter Element</b> Comes Standard with Teflon Seals "T", Add "V" for optional Viton Seals when Ordering Micron Sizes: 005, 01, 03, 10, 25, 50, 100 and 200
25-64- <b>xxxX1</b>	<b>Reinforced Borosilicate Glass Microfiber Filter Element</b> With Exterior Stainless Steel Cage
25-64- <b>xxxX3</b>	<b>Reinforced Borosilicate Glass Microfiber Filter Element</b> With Interior & Exterior Stainless Steel Cages
PT-25-64- <b>xx</b>	<b>PTFE Filter Element</b> Micron Sizes: 03 and 25
PEL-25-64- <b>xx</b>	<b>PEL (Polyethylene) Filter Element</b> Micron Sizes: 10, 25, and 75
25-64- <b>xx-TS</b>	<b>Adsorption Cartridge</b> Adsorbents: CC, 4A, 13X, SG, DR, MB, PP, HO, SB, and CS

Replace "**xxx**" with grade, micron, or adsorbent needed. See [Filter Element Guide](#) for more information.

### Available O-Rings:

<b>GV130HP</b>	<b>Viton (-15°F to 400°F) <b>**Standard - Included**</b></b>
BN130HP	Buna-N (-40°F to 250°F)
KZ130HP	Perfluoroelastomer (5°F to 600°F)
GS130HP	Silicone (-65°F to 400°F)
GE130HP	EPDM (-65°F to 300°F)



### Replacement Parts:

GV130HP	Viton (-15°F to 400°F) (A) <b>**Standard - Included**</b>
TR130HP	Stainless Steel Tie Rod (B)
ER130HP	Stainless Steel Element Retainer (C)
SSB130HP	Stainless Steel Bowl (D)

### Accessories:

SC130	Stainless Steel Support Core
MBSS130	Stainless Steel Mounting Bracket (M6 x 12 Full Thread on 1.50" Center @ 90° to Port)

### Part Number of Exotic Housing Materials:

Monel A400:	<a href="#">Model 132HPM (Drawing)</a>
Hastelloy C-276:	<a href="#">Model 132HP-HC (Drawing)</a>
Inconel A625:	<a href="#">Model 132HP-INC (Drawing)</a>