



Model 127PIL-3-1/4"

Technical Data

- PTFE Construction
- 1/4" NPT / 1/4" NPT Sample Port
- 100 PSIG Maximum Pressure
- Internal Volume (with Element): 50cc
- Viton O-Ring (Standard-Included)
- Total Weight: 4 lbs.
- Flow Rate: See Fast Loop Product Bulletin Page

Elements Available:

SS-12-127-xxT

Stainless Steel Filter Element

Comes Standard with Teflon Seals "T"
Micron Sizes: 005, 01, 03, 10, 25, 50, 100 and 200

PT-12-127-xx

PTFE Filter Element

Micron Sizes: 03 and 25

PEL-12-127-xx

PEL (Polyethylene) Filter Element

Micron Sizes: 10, 25, and 75

Replace "xxx" with grade or micron needed. See [Filter Element Guide](#) for more information.

Available O-Rings:

GV126IL-3

Viton (-15°F to 400°F) **Standard - Included**

BN126IL-3

Buna-N (-40°F to 250°F)

KZ126IL-3

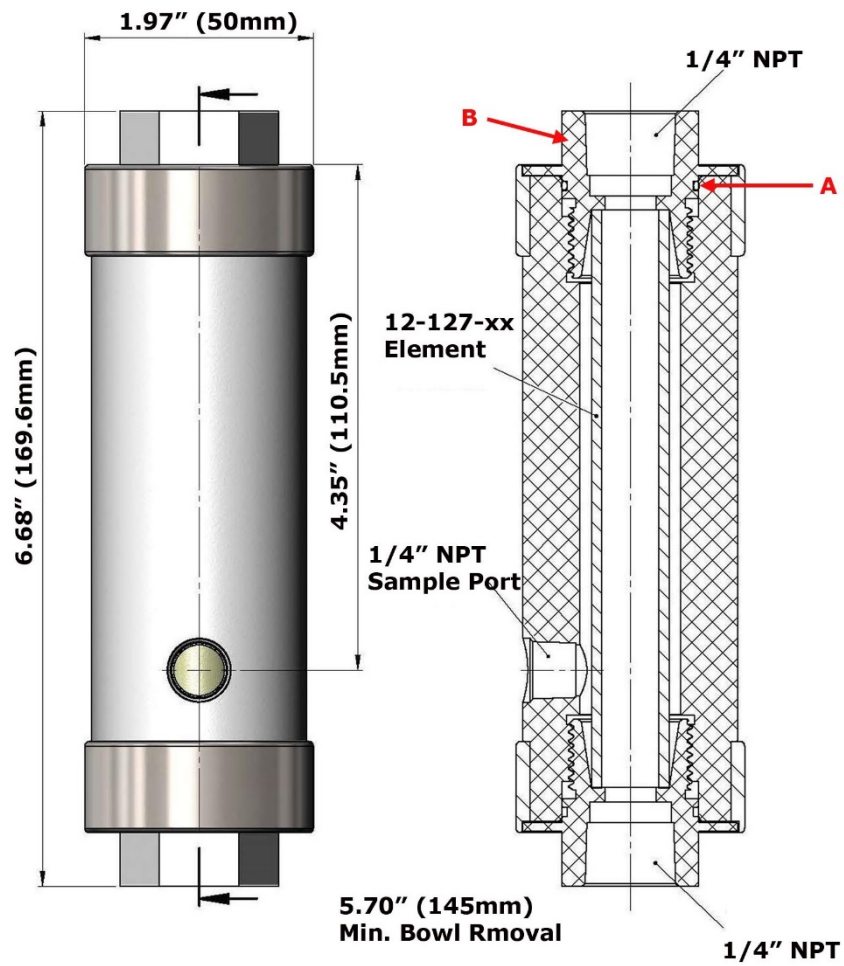
Perfluoroelastomer (5°F to 600°F)

GS126IL-3

Silicone (-65°F to 400°F)

GE126IL-3

EPDM (-65°F to 300°F)



Replacement Parts:

GV126IL-3

Viton (-15°F to 400°F) (A) ****Standard - Included****

EC127PIL-3-1/4"

PTFE End Cap (B)

