



Model 126IL

Technical Data

- 316L Stainless Steel Construction
- 1/4" NPT Inlet / Outlet
- 5000 PSIG Maximum Pressure
- Internal Volume (with Element): 30cc
- Viton O-Ring (Standard-Included)
- Total Weight: 1 lb.
- Flow Rate @ 100 PSIG: 27 SCFM (Maximum Recommended Flow Rate for Optimal Efficiency)
 - Based on 12-57-70C Standard Coalescing Grade Element, 95% Efficient at 0.01 Micron
 - Higher flow rates are supported with increased initial pressure drop

Elements Available:

SS-12-57-xxT

Stainless Steel Filter Element

Comes Standard with Teflon Seals "T"
Micron Sizes: 005, 01, 03, 10, 25, 50, 100 and 200

PT-12-57-xx

PTFE Filter Element

Micron Sizes: 03 and 25

PEL-12-57-xx

PEL (Polyethylene) Filter Element

Micron Sizes: 10, 25, and 75

Replace "xx" with grade or micron needed. See [Filter Element Guide](#) for more information.

Available O-Rings:

GV116IL

Viton (-15°F to 400°F) **Standard - Included**

BN116IL

Buna-N (-40°F to 250°F)

KZ116IL

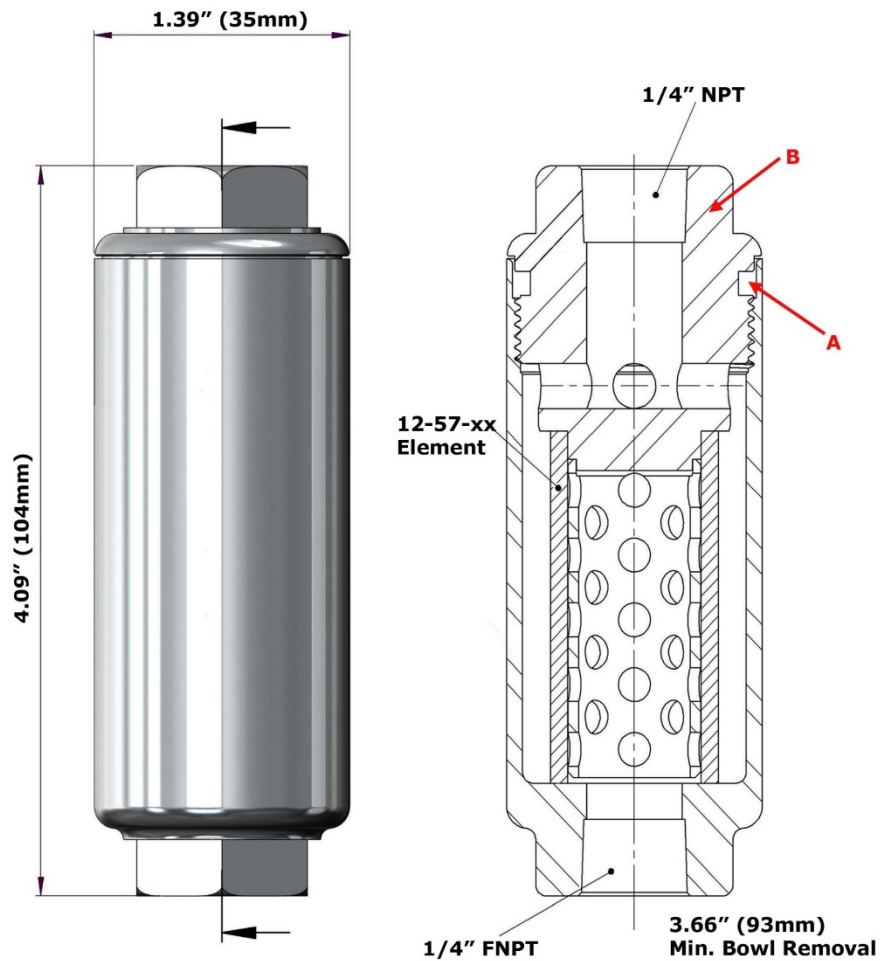
Perfluoroelastomer (5°F to 600°F)

GS116IL

Silicone (-65°F to 400°F)

GE116IL

EPDM (-65°F to 300°F)



Replacement Parts:

GV116IL	Viton (-15°F to 400°F) (A) **Standard - Included**
EC126IL	Stainless Steel End Cap (B)

Part Number of Exotic Housing Materials:

- Monel A400: [Model 126IL-M \(Drawing\)](#)
- Hastelloy C-276: [Model 126IL-HC \(Drawing\)](#)
- Inconel A625: [Model 126IL-INC \(Drawing\)](#)

