



Model 126IL-3

Technical Data

- 316L Stainless Steel Construction
- 1/4" NPT / 1/4" NPT Sample Port
- 5000 PSIG Maximum Pressure
- Internal Volume (with Element): 34cc
- Viton O-Ring (Standard-Included)
- Total Weight: 2.5 lbs.
- Flow Rate: See Fast Loop Product Bullentin Page

Elements Available:

SS-12-57-**xx**T

Stainless Steel Filter Element

Comes Standard with Teflon Seals "T"
Micron Sizes: 005, 01, 03, 10, 25, 50, 100 and 200

PT-12-57-**xx**

PTFE Filter Element

Micron Sizes: 03 and 25

PEL-12-57-**xx**

PEL (Polyethylene) Filter Element

Micron Sizes: 10, 25, and 75

Replace "**xx**" with grade or micron needed. See [Filter Element Guide](#) for more information.

Available O-Rings:

GV126IL-3

Viton (-15°F to 400°F) **Standard - Included******

BN126IL-3

Buna-N (-40°F to 250°F)

KZ126IL-3

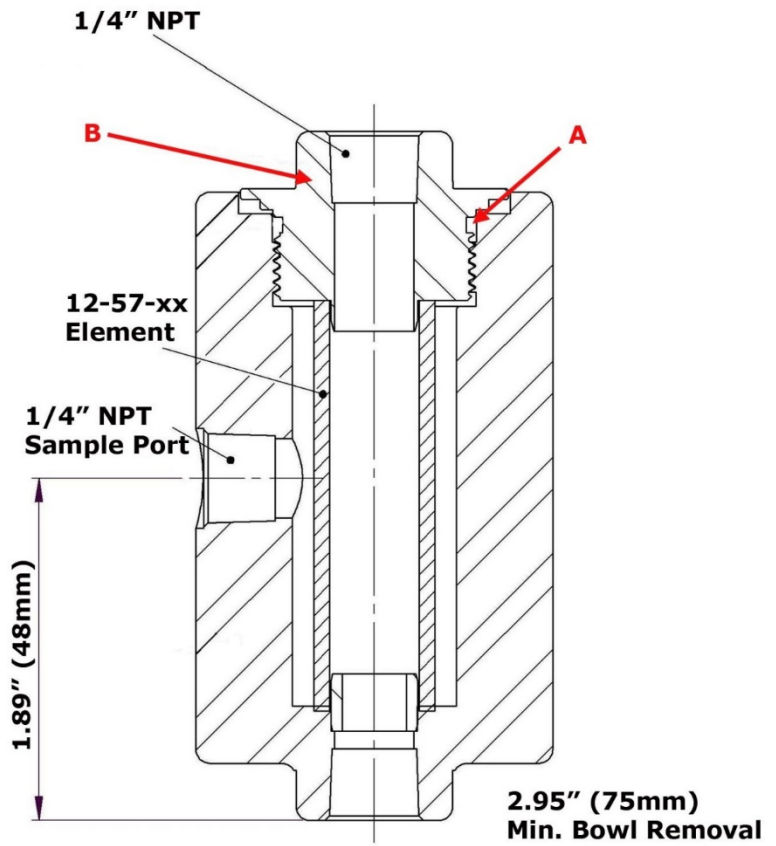
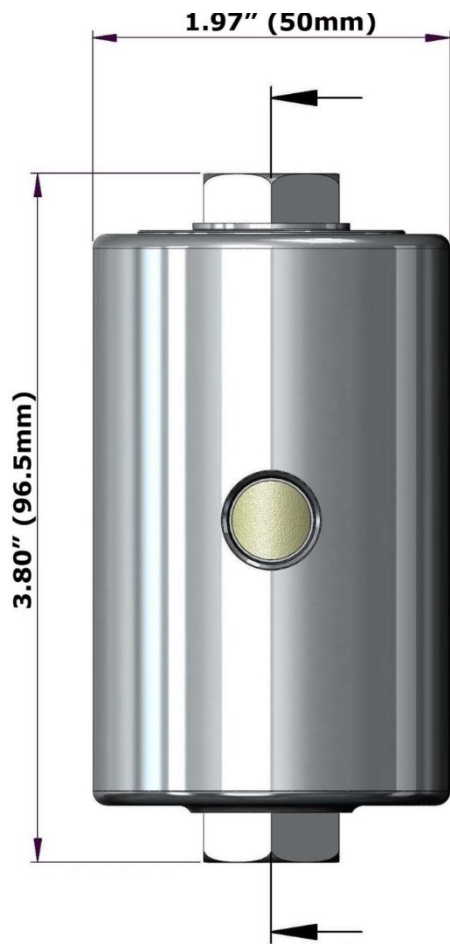
Perfluoroelastomer (5°F to 600°F)

GS126IL-3

Silicone (-65°F to 400°F)

GE126IL-3

EPDM (-65°F to 300°F)



Replacement Parts:

GV126IL-3	Viton (-15°F to 400°F) (A) **Standard - Included**
EC126IL-3	Stainless Steel End Cap (B)

Part Number of Exotic Housing Materials:

- Monel A400: [Model 126IL-3M \(Drawing\)](#)
- Hastelloy C-276: [Model 126IL-3HC \(Drawing\)](#)
- Inconel A625: [Model 126IL-3INC \(Drawing\)](#)

