



# Model 126HP

## Technical Data

- 316L Stainless Steel Construction
- 1/4" NPT / No Drain
- 10,000 PSIG Maximum Pressure
- Internal Volume (with Tie Rod / No Element): 32CC
- Viton O-Ring (Standard-Included)
- Total Weight: 6 lbs.
- Flow Rate @ 100 PSIG: 27 SCFM (Maximum Recommended Flow Rate for Optimal Efficiency)
  - Based on 12-57-70C Standard Coalescing Grade Element, 95% Efficient at 0.01 Micron
  - Higher flow rates are supported with increased initial pressure drop

### Elements Available:

12-57-**xxx**

#### Disposable Borosilicate Glass Microfiber Filter Element

12-57-70C – Standard Recommended Coalescing Filter Element

SS-12-57-**xxT**

#### Stainless Steel Filter Element

Comes Standard with Teflon Seals "T", Add "V" for optional Viton Seals when Ordering  
Micron Sizes: 005, 01, 03, 10, 25, 50, 100 and 200

PT-12-57-**xx**

#### PTFE Filter Element

Micron Sizes: 03 and 25

PEL-12-57-**xx**

#### PEL (Polyethylene) Filter Element

Micron Sizes: 10, 25, and 75

12-57-**xx**-TS

#### Adsorption Cartridge

Adsorbents: CC, 4A, 13X, SG, DR, MB, PP, HO, SB, and CS

Replace "**xxx**" with grade, micron, or adsorbent needed. See [Filter Element Guide](#) for more information.

### Available O-Rings:

GV110HP

Viton (-15°F to 400°F) **\*\*Standard - Included\*\***

BN110HP

Buna-N (-40°F to 250°F)

KZ110HP

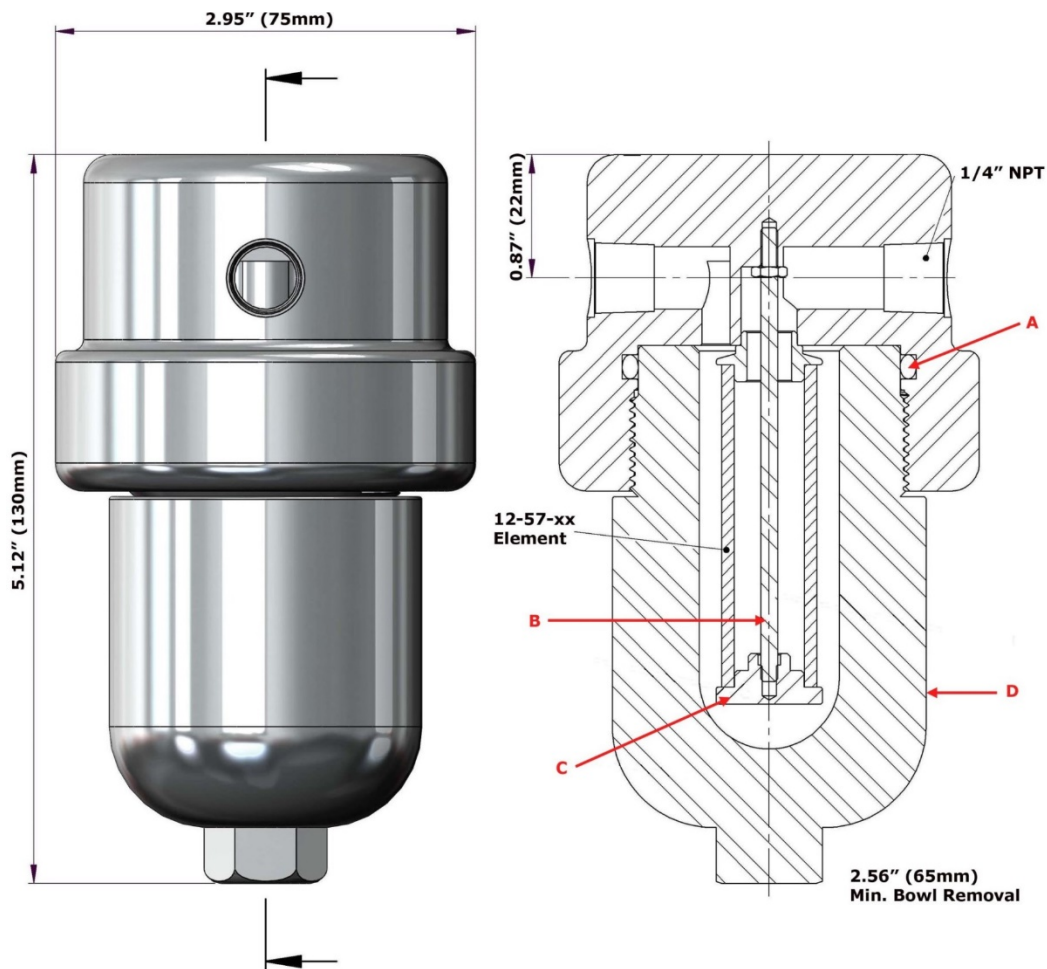
Perfluoroelastomer (5°F to 600°F)

GS110HP

Silicone (-65°F to 400°F)

GE110HP

EPDM (-65°F to 300°F)



### Replacement Parts:

GV110HP	Viton (-15°F to 400°F) (A) <b>**Standard - Included**</b>
TR120HP	Stainless Steel Tie Rod (B)
ER110HP	Stainless Steel Element Retainer (C)
SSB126HP	Stainless Steel Bowl (D)

### Accessories:

SC120	Stainless Steel Support Core
MBSS130	Stainless Steel Mounting Bracket (M6 x 12 Full Thread on 1.50" Center @ 90° to Port)

### Part Number of Exotic Housing Materials:

Monel A400:	<a href="#">Model 126HPM (Drawing)</a>
Hastelloy C-276:	<a href="#">Model 126HP-HC (Drawing)</a>
Inconel A625:	<a href="#">Model 126HP-INC (Drawing)</a>