



# Model 126

w/LSS-12-57 Element

## Technical Data

- 316L Stainless Steel Construction
- 1/4" NPT / No Drain
- 5000 PSIG Maximum Pressure
- Internal Volume (with Tie Rod / No Element): 34cc
- Viton O-Ring (Standard-Included)
- Total Weight: 1 lb.
- Liquid Flow Rate: 3 LPM (0.8 GPM) Nomial

### Elements Available:

LSS-12-57-xx

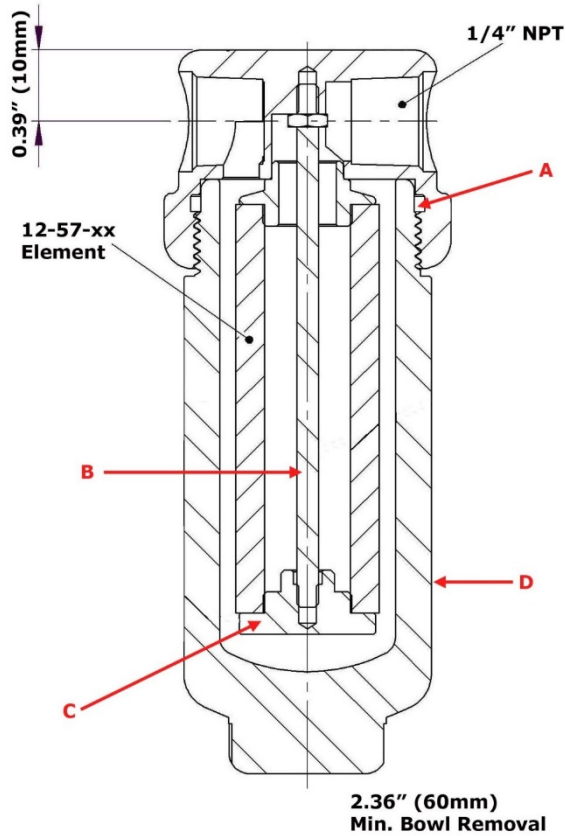
#### Stainless Steel Screen Filter Element

Micron Sizes: 50 and 100

Replace "xx" with micron needed. See [Filter Element Guide](#) for more information.

### Available O-Rings:

<b>GV110</b>	<b>Viton (-15°F to 400°F) <b>**Standard - Included**</b></b>
BN110	Buna-N (-40°F to 250°F)
KZ110	Perfluoroelastomer (5°F to 600°F)
GS110	Silicone (-65°F to 400°F)
GE110	EPDM (-65°F to 300°F)



**Replacement Parts:**

GV110	Viton (-15°F to 400°F) (A) <b>**Standard - Included**</b>
TR120	Stainless Steel Tie Rod (B)
ER110	Stainless Steel Element Retainer (C)
SSB126	Stainless Steel Bowl (D)

**Accessories:**

SC120	Stainless Steel Support Core
MBSS110	Stainless Steel Mounting Bracket (M5 x 10 Full Thread on 1.00" Center @ 90° to Port)

