



Model 120HP

Technical Data

- 316L Stainless Steel Construction
- 1/8" NPT / 1/8" NPT Drain
- 10,000 PSIG Maximum Pressure
- Internal Volume (with Tie Rod / No Element): 32CC
- Viton O-Ring (Standard-Included)
- Total Weight: 6 lbs.
- Flow Rate @ 100 PSIG: 27 SCFM (Maximum Recommended Flow Rate for Optimal Efficiency)
 - Based on 12-57-70C Standard Coalescing Grade Element, 95% Efficient at 0.01 Micron
 - Higher flow rates are supported with increased initial pressure drop

Elements Available:

12-57-**xxx**

Disposable Borosilicate Glass Microfiber Filter Element

12-57-70C – Standard Recommended Coalescing Filter Element

SS-12-57-**xxT**

Stainless Steel Filter Element

Comes Standard with Teflon Seals "T", Add "V" for optional Viton Seals when Ordering
Micron Sizes: 005, 01, 03, 10, 25, 50, 100 and 200

PT-12-57-**xx**

PTFE Filter Element

Micron Sizes: 03 and 25

PEL-12-57-**xx**

PEL (Polyethylene) Filter Element

Micron Sizes: 10, 25, and 75

12-57-**xx**-TS

Adsorption Cartridge

Adsorbents: CC, 4A, 13X, SG, DR, MB, PP, HO, SB, and CS

Replace "**xxx**" with grade, micron, or adsorbent needed. See [Filter Element Guide](#) for more information.

Available O-Rings:

GV110HP

Viton (-15°F to 400°F) **Standard - Included******

BN110HP

Buna-N (-40°F to 250°F)

KZ110HP

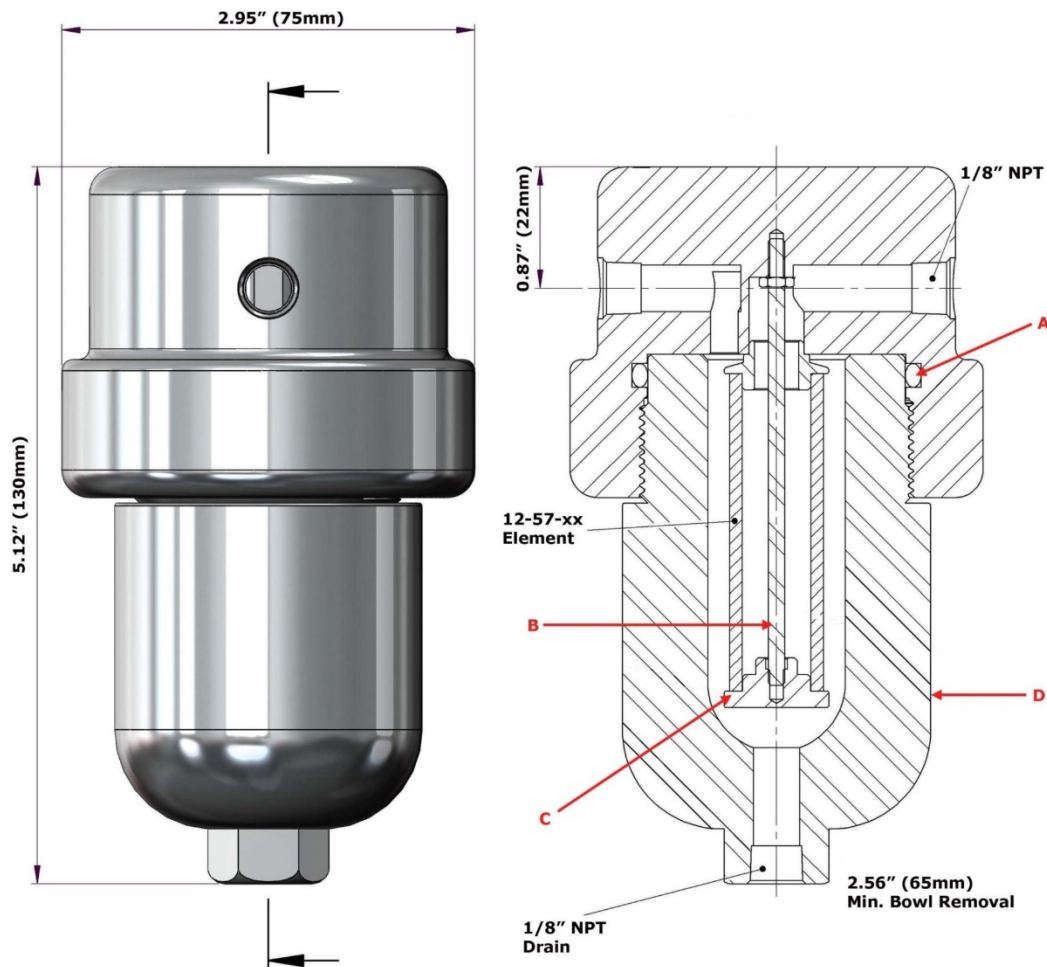
Perfluoroelastomer (5°F to 600°F)

GS110HP

Silicone (-65°F to 400°F)

GE110HP

EPDM (-65°F to 300°F)



Replacement Parts:

GV110HP	Viton (-15°F to 400°F) (A) **Standard - Included**
TR120HP	Stainless Steel Tie Rod (B)
ER110HP	Stainless Steel Element Retainer (C)
SSB120HP	Stainless Steel Bowl (D)

Accessories:

SC120	Stainless Steel Support Core
MBSS130	Stainless Steel Mounting Bracket (M6 x 12 Full Thread on 1.50" Center @ 90° to Port)

Part Number of Exotic Housing Materials:

- Monel A400: [Model 120HPM \(Drawing\)](#)
- Hastelloy C-276: [Model 120HP-HC \(Drawing\)](#)
- Inconel A625: [Model 120HP-INC \(Drawing\)](#)

