



Model 117G

Technical Data

- 316L Stainless Steel / Pyrex Glass Bowl Construction
- 1/4" NPT / 1/8" NPT Drain
- 100 PSIG Maximum Pressure
- Internal Volume (with Tie Rod / No Element): 28CC
- Viton O-Ring (Standard-Included)
- Total Weight: 1 lb.
- Flow Rate @ 100 PSIG: 23 SCFM (Maximum Recommended Flow Rate for Optimal Efficiency)
 - Based on 12-32-70C Standard Coalescing Grade Element, 95% Efficient at 0.01 Micron
 - Higher flow rates are supported with increased initial pressure drop

Elements Available:

12-32-**xxx**

Disposable Borosilicate Glass Microfiber Filter Element

12-32-70C – Standard Recommended Coalescing Filter Element

SS-12-32-**xxT**

Stainless Steel Filter Element

Comes Standard with Teflon Seals "T", Add "V" for optional Viton Seals when Ordering
Micron Sizes: 005, 01, 03, 10, 25, 50, 100 and 200

PT-12-32-**xx**

PTFE Filter Element

Micron Sizes: 03 and 25

PEL-12-32-**xx**

PEL (Polyethylene) Filter Element

Micron Sizes: 10, 25, and 75

Replace "**xxx**" with grade or micron needed. See [Filter Element Guide](#) for more information.

Available O-Rings:

GV117

Viton (-15°F to 400°F) **Standard - Included******

BN117

Buna-N (-40°F to 250°F)

KZ117

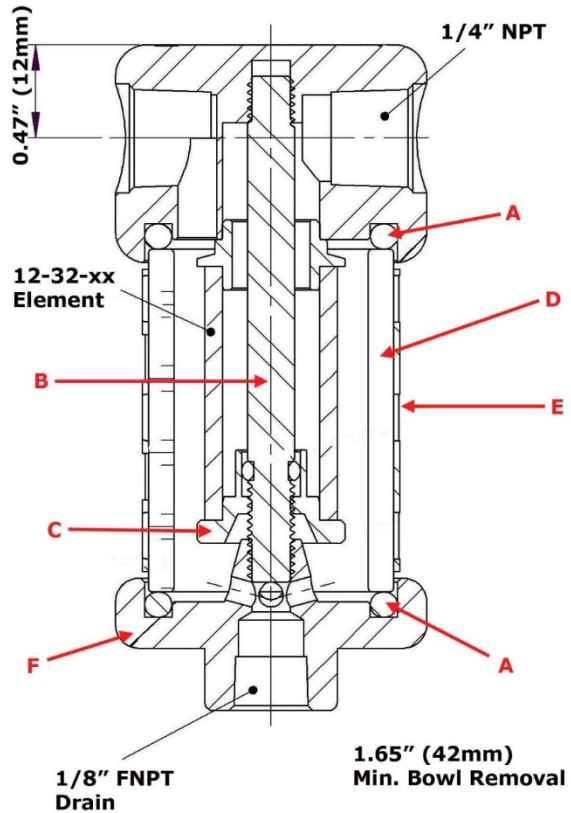
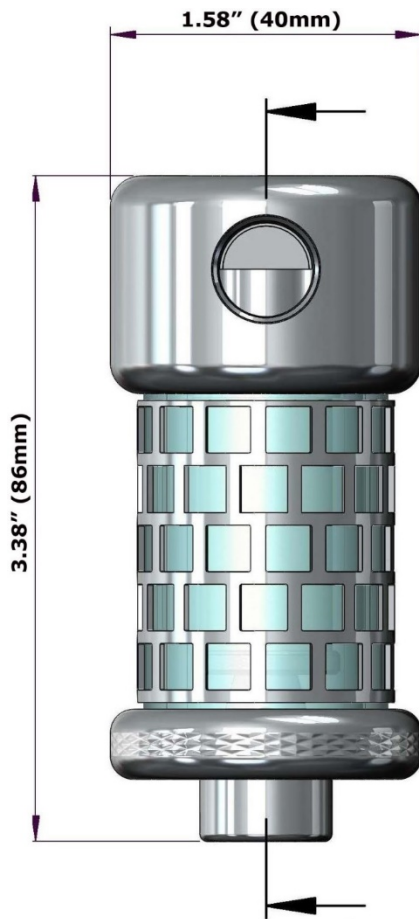
Perfluoroelastomer (5°F to 600°F)

GS117

Silicone (-65°F to 400°F)

GE117

EPDM (-65°F to 300°F)



Replacement Parts:

GV117	Viton (-15°F to 400°F) (A) **Standard - Included**
TR117	Stainless Steel Tie Rod (B)
ER117	Stainless Steel Element Retainer (C)
GB117	Pyrex Glass Bowl (D)
BG117	Stainless Steel Bowl Guard (E)
BP117	Stainless Steel Base Plate (F)

Accessories:

SC110	Stainless Steel Support Core
MBSS110	Stainless Steel Mounting Bracket (M5 x 10 Full Thread on 1.00" Center @ 90° to Port)

Part Number of Exotic Housing Materials:

Monel A400:	Model 117GM (Drawing)
Hastelloy C-276:	Model 117G-HC (Drawing)
Inconel A625:	Model 117G-INC (Drawing)